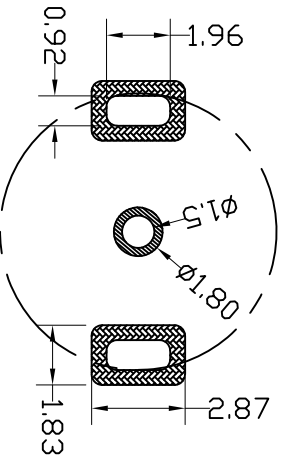
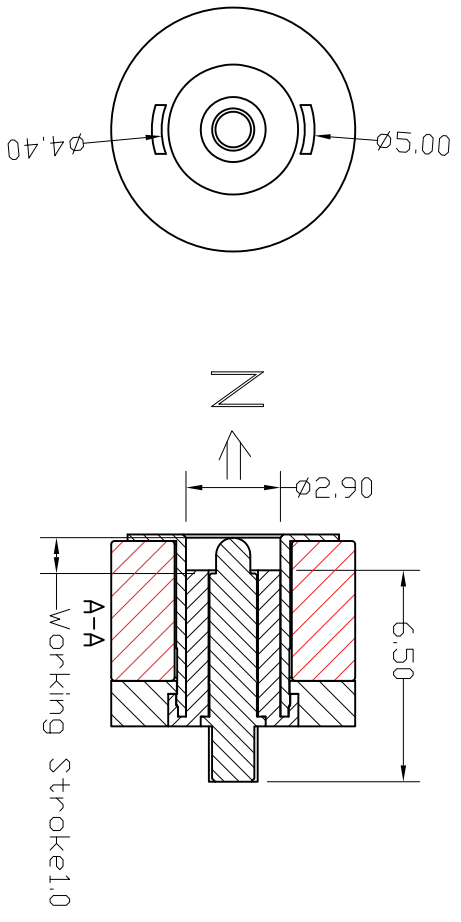
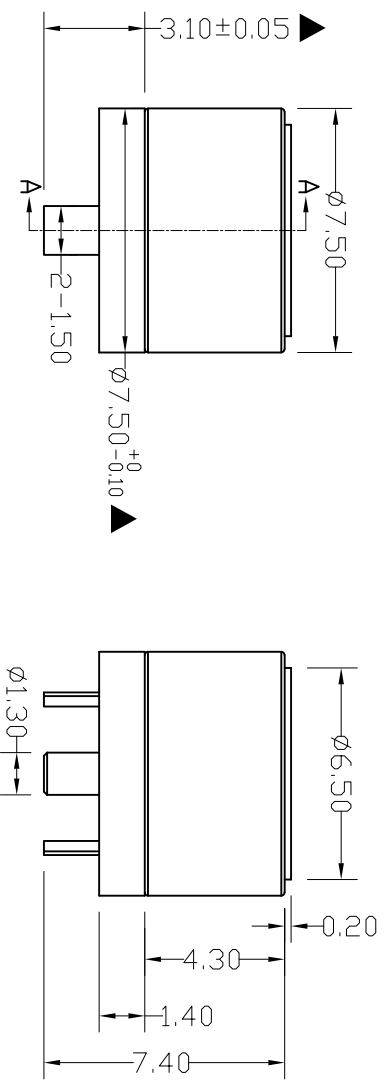
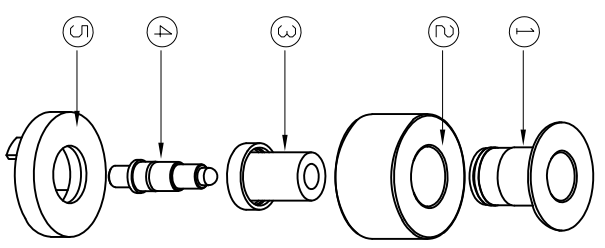
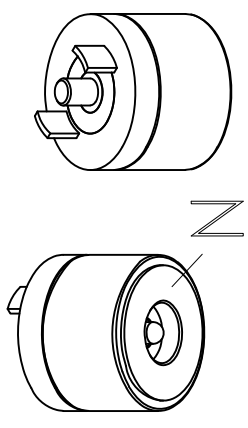


REV	ECN NO.	DETAILS	BY	DATE
1				
2				
3				

- NOTES:
- 1.0 Rated voltage(Per Contact):5 Volts
 - 2.0 Rated Current(Per Contact):3A maximum
 - 3.0 Working Temperature Range: -30~85℃
 - 4.0 "▲"For key control dimensions.
 - 5.0 1um ≈40u"



PCB LAYOUT
Layout Tolerance:±0.05mm



5	Back shell	1pcs	HBI59-1	Nickel 5.0um min plated	ø7.5*3.10	
4	POGO Pin	1pcs	Leaded Brass	Gold 0.075um min plated over 1.25~3.0um Nickel	ø2.0*7.50	
3	Rubber compound	3g	PA9T	Black	
2	Magnet	1pcs	N52	Nickel 30um min plated	ø7.5*4.30	
1	Front shell	1pcs	SUS316L	ø6.5*5.60	
Item	Part Name	Q'TY	Material	Finish	Remarks	

*UNLESS OTHERWISE STATED ALL DIMENSIONS ARE IN MILLIMETRES
LINEAR TOLERANCE:
X:±0.20 X:±0.15 XX:±0.10
X:±.2° X:±0.5°
Pomagtor
Website:www.pomagtor.net

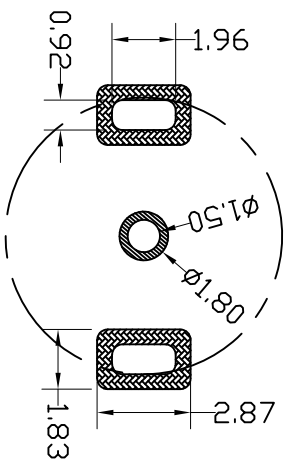
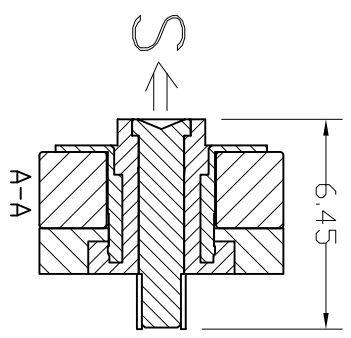
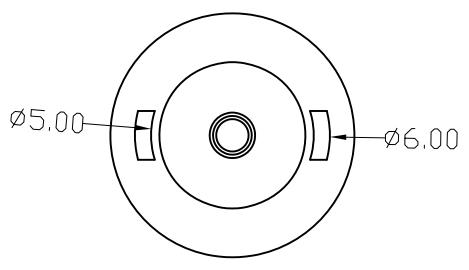
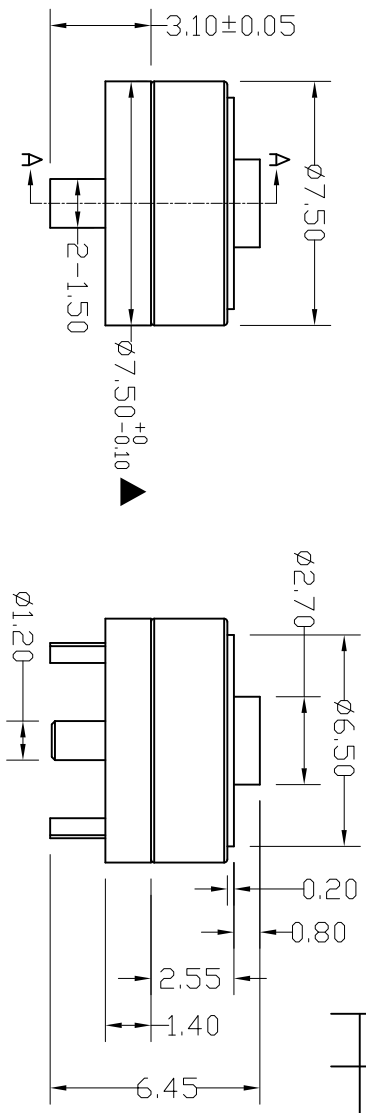
POMAGTOR
POGO PIN - 16 YEARS OF PROFESSIONAL
Magnetic connection-professional for customization

TITLE	REV	SCALE	REV	SCALE	DATE	DATE
Circular magnetic connector 7.5mm-2PIN-17M Without skirt	A0	1	A0	1	21/03/19	21/03/19
PART NO	RD91.HHJ0210320-005	UNIT	mm			
VEIW ANGLE		SHEET	1 of 1			

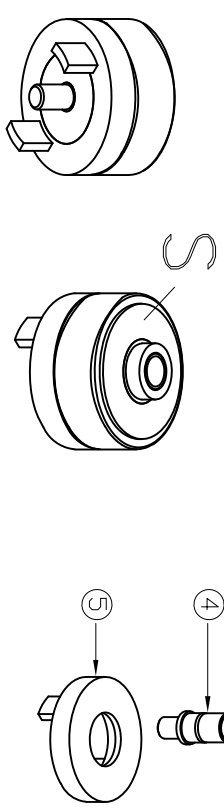
DRAWN BY: HJH
CHECKED BY: HXH
APPROVED BY: QS.G

REV	ECN NO.	DETAILS	BY	DATE
1				
2				
3				

- NOTES:
- 1.0 Rated voltage(Per Contact):5 Volts
 - 2.0 Rated Current(Per Contact):3A maximum
 - 3.0 Working Temperature Range: -30~85℃
 - 4.0 "▲"For key control dimensions.
 - 5.0 1um ≈40u"



PCB LAYOUT
Layout Tolerance:±0.05mm



Item	Part Name	Q'TY	Material	Finish	Remarks
1	Front shell	1pcs	SUS316L	ø6.5*3.60
2	Magnet	1pcs	N52	Nickel 30um min plated	ø7.5*2.35
3	Rubber compound	3g	PA9T	Black
4	Pin	1pcs	Leaded Brass	Gold 0.075um min plated over 1.25~3.0um Nickel	ø1.8*6.40
5	Back shell	1pcs	HBI59-1	Nickel 5.0um min plated	ø7.5*3.10

*UNLESS OTHERWISE STATED
ALL DIMENSIONS ARE IN
MILLIMETRES
LINEAR TOLERANCE:
X:±0.20, Y:±0.15, XX:±0.10
X':±2°, X':±0.5°
Pomagtor
Website:www.pomagtor.net

POMAGTOR
16 YEARS OF PROFESSIONAL
Magnetic connection-professional for customization

TITLE	REV	SCALE	DATE	BY	CHECKED	APPROVED
Circular magnetic connector 7.5mm-2PIN-1/7 Without skirt	A0	1	21/03/19	HJH	HXH	QS.G
PART NO	RD91.HHJ0210320-004	UNIT	mm			
VEIW ANGLE		SHEET	1 of 1			