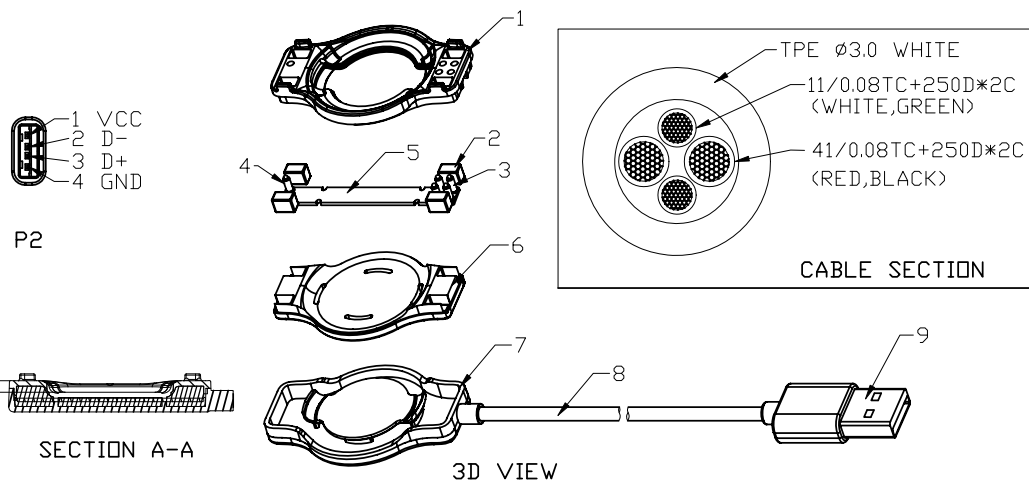
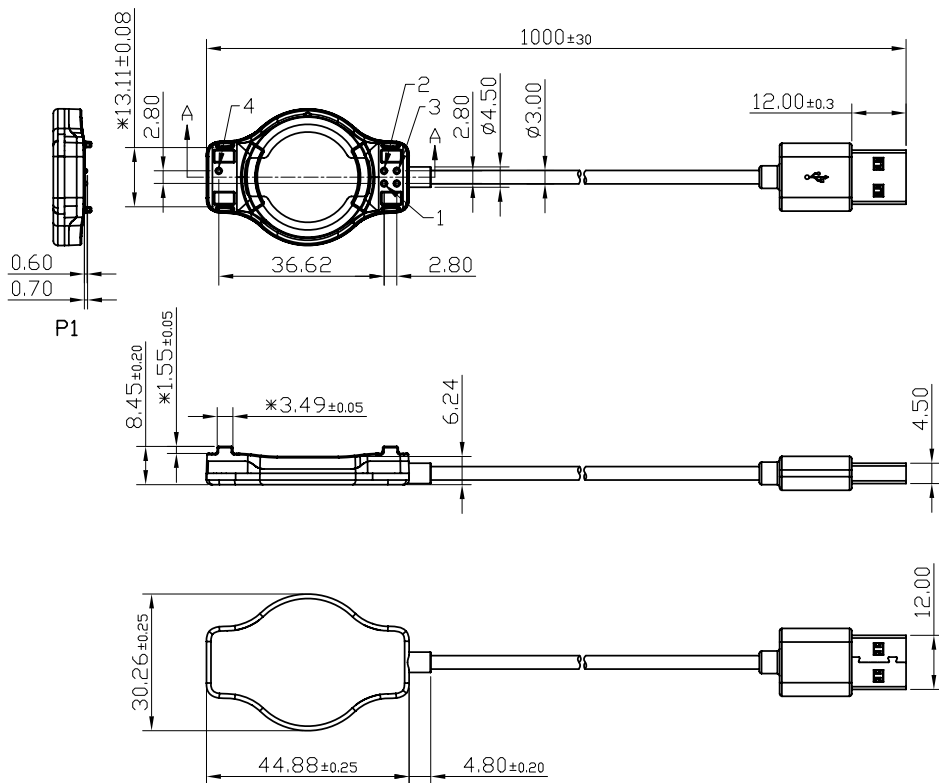


RoHS2.0+REACH+PROP65+CPSIA

REV	ECN NO.	DETAILS	BY	DATE
1				
2				
3				



Wiring Diagram

P1	P2	Color
1	1 VCC	Red
2	2 D-	White
3	3 D+	Green
4	4 GND	Black

Skills Requirement:
 1.0 a.100%Open/Short test.
 b.ON-resistance: 3Ω (max).
 c.Insulation Resistance: 300V/DC 10MΩ(min).
 2.0 Electrical Characteristics:
 1)Rated Voltage (PIN Contact): 5Volts.
 2)Rated Current (PIN Contact): 2A.
 3)Insulation Resistance: 100MΩ min.
 4)Dielectric Withstand Voltage: 100V AT 60Hz.
 5)Contact Resistance: 30mΩ Max. Before Test And 60mΩMax. After Test.
 6)Press Stroke 0.6/0.7mm (Per Contact): 30±10gf
 7)Press stroke 0.6/0.7mm, 10,000 times Min.
 3.0 Salt Spray Test: 5% Salt Spray Concentration, Temperature 35°C, Test Time 24 Hours, No Corrosion.
 4.0Working Temperature Range: -30~+85°C.
 5.0Key control dimensions are indicated by "*".

Item	Part Name	Q'TY	Material	Finish	Remarks
9	USB2.0	1pcs	PBT+BRASS+SPCC
8	Wire rod	1pcs	TPE White	Ø3.0
7	External Molding Plastic	TPE Material Color: White
6	Internal Molding Plastic	PE Raw Material Color: Transparent
5	PCB	1pcs	FR4	Halogen-free gold plate	41.14*5.1*0.8
4	Pogo Pin 2	1pcs	Lead Free Copper	The surface is nickel-plated 1.25~3.0um, then gold-plated 0.075um Min, then nickel-plated 1.25~3.0um	Ø2.0*5.3
3	Pogo Pin 1	4pcs	Lead Free Copper	The surface is nickel-plated 1.25~3.0um, then gold-plated 0.075um Min, then nickel-plated 1.25~3.0um	Ø1.8*5.4
2	Magnet	4pcs	N52	Nickel 5.0um min plated	4.7*2.9*3.7
1	Housing	1pcs	PC,Color: WHITE

"UNLESS OTHERWISE STATED ALL DIMENSIONS ARE IN MILLIMETRES
 LINEAR TOLERANCE:
 X:±0.20 .X±0.15 .XX±0.10
 X*:±2° .X*±0.5°"
 Pomagtor
 Website:www.pomagtor.net

POMAGTOR
 POGO PIN - 16 YEARS OF PROFESSIONAL
 Magnetic connection-professional for customization

TITLE	Magnetic Connecting Cable	REV	A0	DRAWN BY	CHECKED BY	APPROVED BY
SPEC	HLW-5P Charging seat line	SCALE	1	Lemon	QS.G	Eidson
PART NO	RD91.HHX0211006-001	UNIT	mm			
VEIW ANGLE		DATE	21/10/09			
		SHEET	1 of 1			