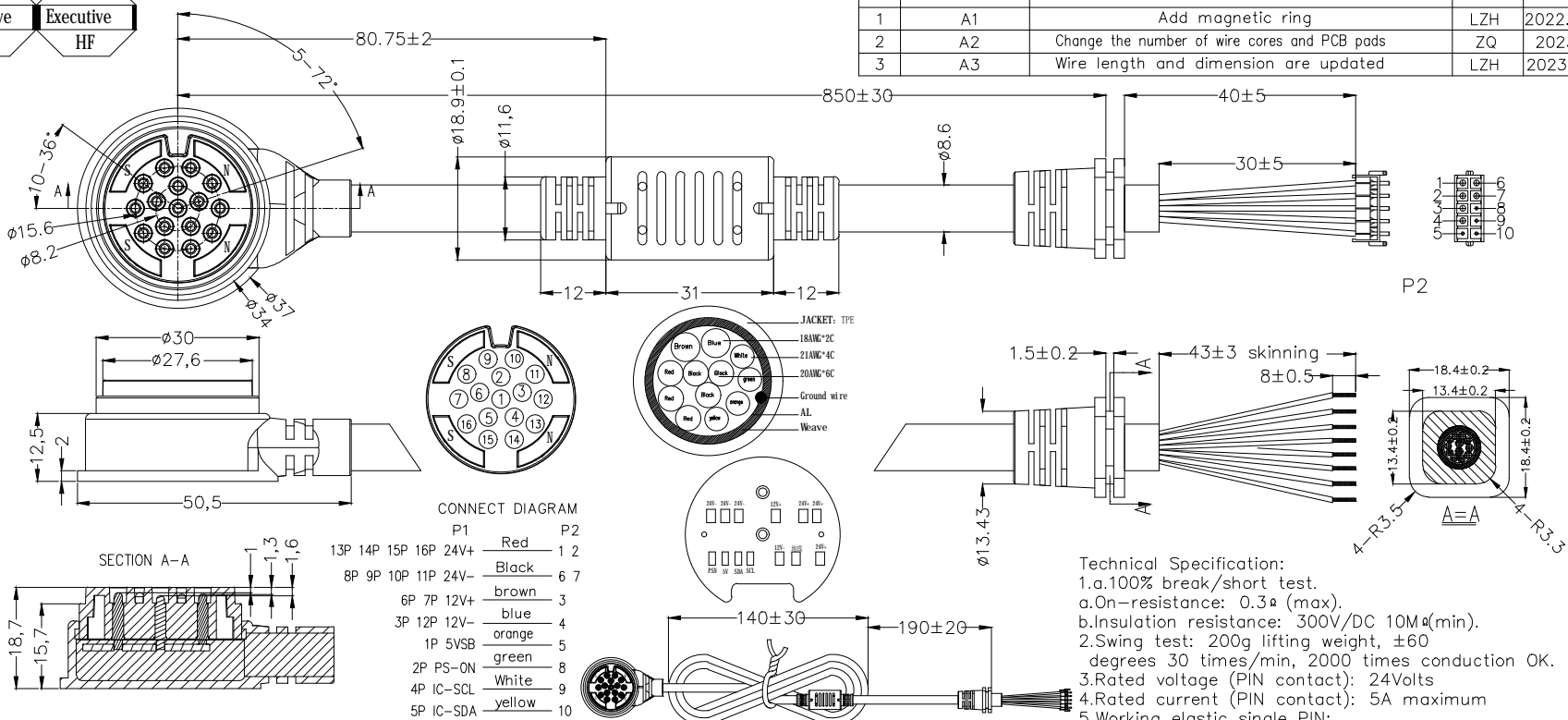


ROHS Executive (Pb) Reach Executive HF

REV	ECN NO.	DETAILS	BY	DATE
1	A1	Add magnetic ring	LZH	2022.12.26
2	A2	Change the number of wire cores and PCB pads	ZQ	2023.1.6
3	A3	Wire length and dimension are updated	LZH	2023.02.01

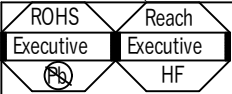


Item	Part Name	Material	Finish	Q'TY	Remarks
10	The circular	-	ITEM:F2BP RH16*28*9 SERIAL NO:2022011025007	1pcs	-
9	SR	TPE Black	-	1pcs	-
8	receptacle terminal	-	(double row 10P PH3.9)	1pcs	-
7	PCB	FR-4	-	1pcs	-
6	magnet	N52	Salt spray: 48H	4pcs	-
5	POGOPIN	HBI59-1.5	Ni2.5um+Au0.075um Salt spray: 48H	16pcs	-
4	Housing	PA9T Black	-	1pcs	-
3	Outer mold	TPE 90A Black	-	1pcs	-
2	Internal mold	LD-PE transparent	-	1pcs	-
1	Wire rod	TPE Black	20AWGx6C+18AWG*2C+21AWGx4C+AB	0.92m	OD: \varnothing 8.6

*UNLESS OTHERWISE STATED ALL DIMENSIONS ARE IN MILLIMETRES
 LINEAR TOLERANCE:
 X \pm 0.20 .X \pm 0.15 .XX \pm 0.10
 X* \pm 2* .X* \pm 0.5**
 Pomagtor
 Website:www.pomagtor.net

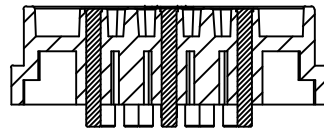
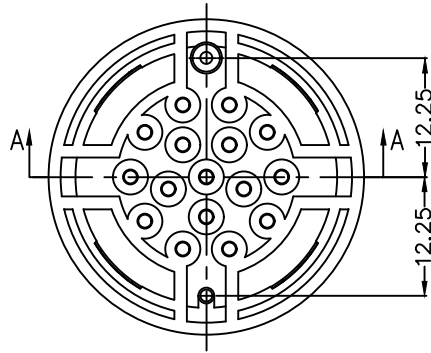
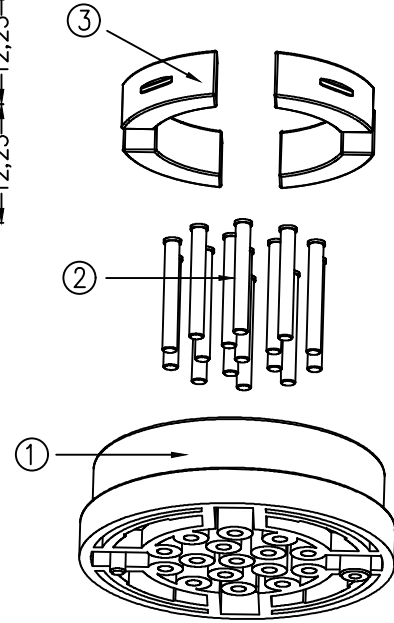
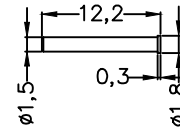
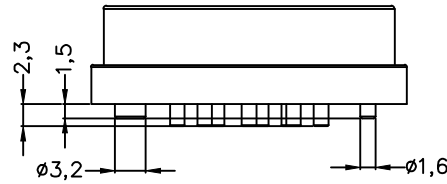
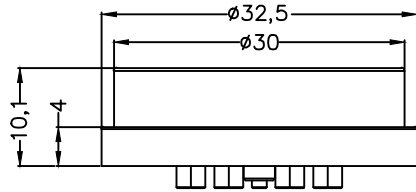
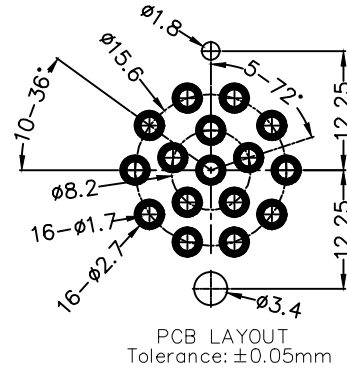
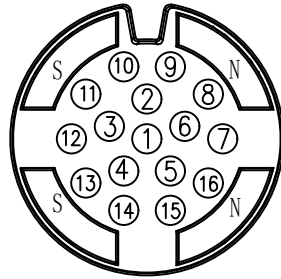
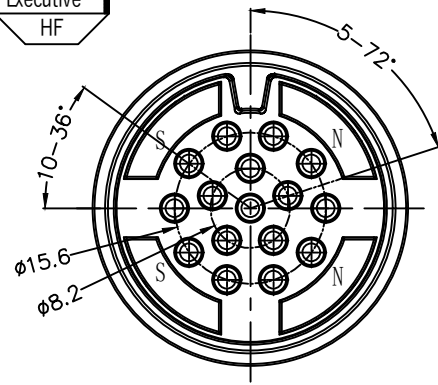
POMAGTOR
 POGO PIN - 16 YEARS OF PROFESSIONAL
 Magnetic connector - professional for customization

TITLE	Male magnetic wire	REV	A3	DRAWN BY	ZQ	CHECKED BY	-	APPROVED BY	-
SPEC	16P/M Black L=0.92M	SCALE	1						
PART NO	RD90.LZH0221212-004	UNIT	mm						
VEIW ANGLE		DATE	2023.2.1						
		SHEET	1 of 1						



- NOTES:
 1.0 Rated voltage: 24 Volts
 2.0 Rated Current: 5A maximum
 3.0 Contact Resistance: 30m Ω maximum
 4.0 Salt Spray: 48H Min
 5.0 Working Temperature Range: -40~85°C
 6.0 Marked with "*" as key dimension
 7.0 The product must conform to the latest RoHS

REV	ECN NO.	DETAILS	BY	DATE
1	AO	The new version was released	LZH	2022.08.30
2				
3				



SECTION A-A

"UNLESS OTHERWISE STATED
 ALL DIMENSIONS ARE IN
 MILLIMETRES
 LINEAR TOLERANCE:
 X,±0.20 .X±0.15 .XX±0.10
 X°,±2° .X°±0.5°"
 Pomagtor
 Website:www.pomagtor.net

POMAGTOR
 POGO PIN - 16 YEARS OF PROFESSIONAL
 Magnetic connector - professional for customization

3	magnet	N52	Salt Spray: 48H Min	4pcs	-
2	pin	HBI59-1.5	Ni2.5um+Au0.075um	16pcs	-
1	Housing	PA9T Black	-	1pcs	-
Item	Part Name	Material	Finish	Q'TY	Remarks

TITLE	pin connector	REV	AO	DRAWN BY	LZH	CHECKED BY	-	APPROVED BY	-
SPEC	16P/F Black	SCALE	1						
PART NO	RD90.LZH0220523-005	UNIT	mm						
VEIW ANGLE		DATE	2022.08.30						
		SHEET	1 of 1						