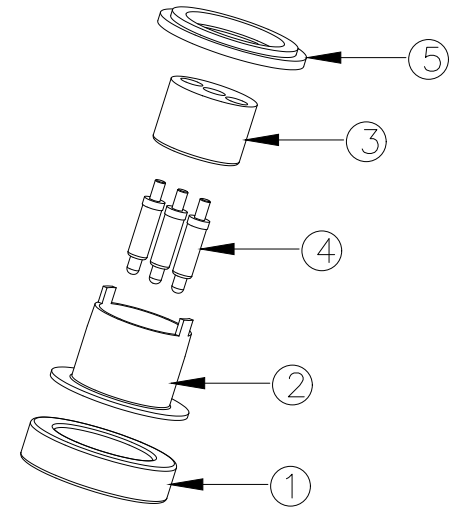
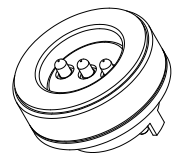
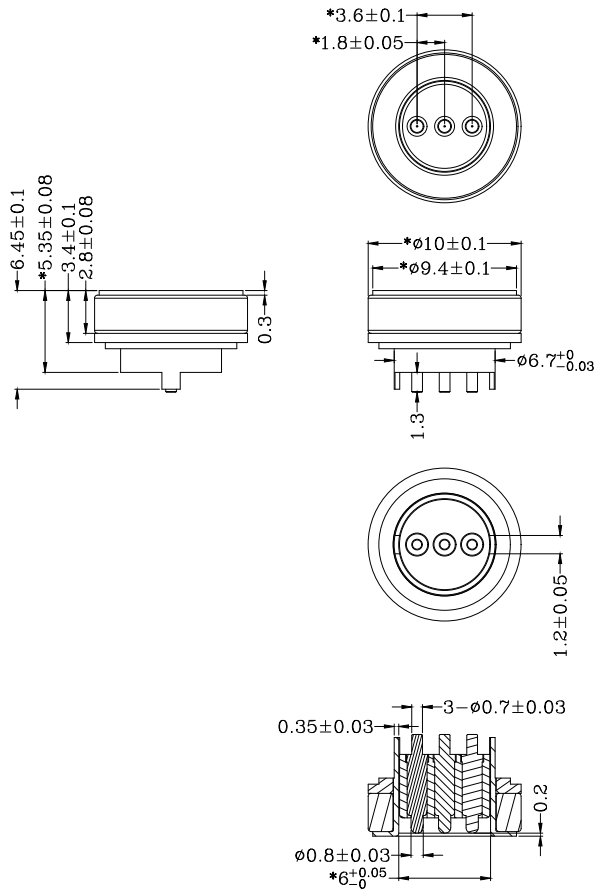


ROHS Executive  
Reach Executive  
Pb

REV	ECN NO.	DETAILS	BY	DATE
1	AD	新版发行	LZH	2022.06.16
2				



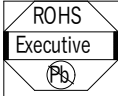
NOTES:  
 1.0 PLATING:  
 1) Magnetic copper shell: H59 Palladium plated 3-5u"  
 2) Bullet needle: HBi59-1.5 syringe needle plated 5-10u" needle tubing plated 3-5u"  
 3) Housing: PA9T WHITE  
 4) Magnet: N52  
 2.0 Rated voltage (Per Contact): 9 Volts  
 3.0 Rated Current (Per Contact): 3A maximum  
 4.0 Working Temperature Range: -30~85° C  
 5.0 Mark \* size as key control

"UNLESS OTHERWISE STATED  
 ALL DIMENSIONS ARE IN  
 MILLIMETRES  
 LINEAR TOLERANCE:  
 X, ±0.20 .X ±0.15 .XX ±0.10  
 X\* ±2° .X\* ±0.5°"  
 Pomagtor  
 Website: www.pomagtor.net

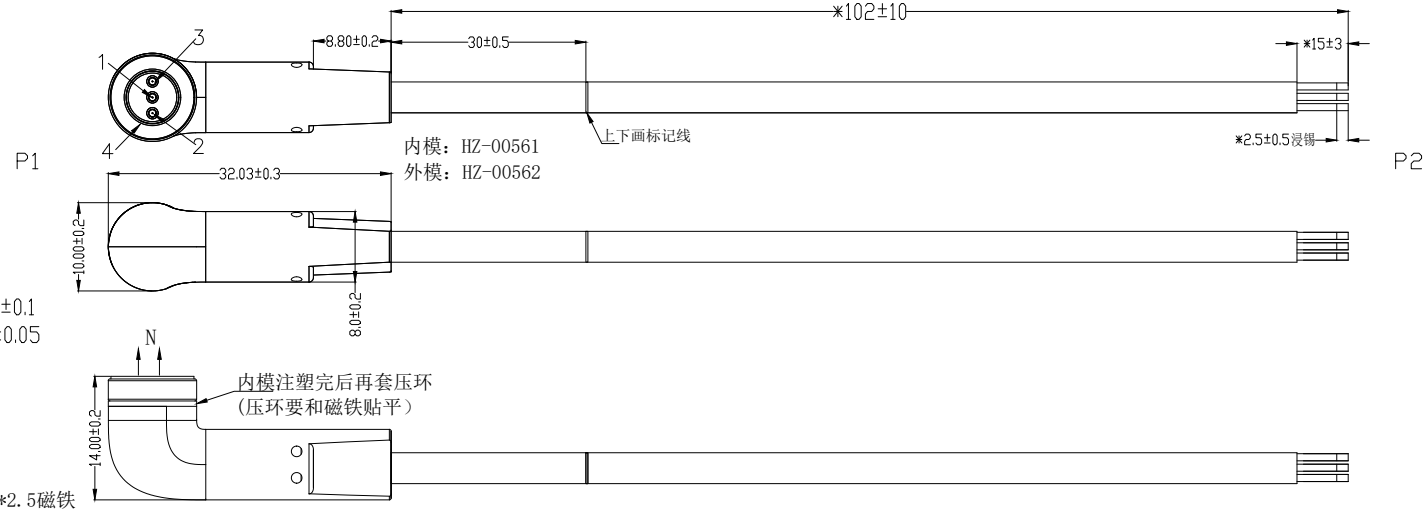
**POMAGTOR**  
 POGO PIN - 16 YEARS OF PROFESSIONAL  
 Magnetic connection-professional for customization

Item	Part Name	Material	Finish	Q'TY	Remarks
5	压环	H59	OD: 10.05*ID: 6.72*H: 1.0mm 镀镍50-120u", 盐雾48小时	1pcs	-
4	弹针	HBi59-1.5	OD: 1.4*L: 6.5mm 弹针 针头钯金5-10u" 针管钯金3-5u" 工作行程1.0mm 弹力50gf 盐雾48H	3pcs	-
3	支架	PA9T 白色	防火等级: UL94V-0	1pcs	-
2	铜壳	H59	OD: 9.4*ID: 6.0*H: 6.45mm 镀镍50-120u", 镀钯金3-5u"	1pcs	-
1	磁铁	N52	OD: 10.0*ID: 6.75*H: 2.5mm 材质: N52 镀镍200u"Min	1pcs	-

TITLE	磁吸连接器	REV	AD	DRAWN BY	CHECKED BY	APPROVED BY
SPEC	AK-手游 3P/M 材质PA9T白色 P针镀钯金	SCALE	1	LZH	-	-
PART NO	HY911.MM03100180-01	UNIT	mm			
VEIW ANGLE		DATE	2022.06.16			
		SHEET	1 of 1			



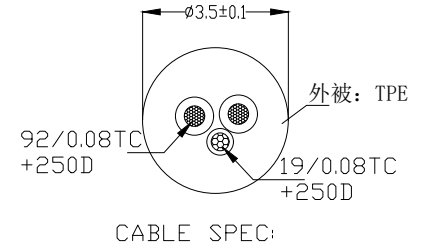
REV	ECN NO.	DETAILS	BY	DATE
1	AD	The new version was released	LZH	2022.06.17
2				
3				



- 技术要求:
- a. 100%断/短测试.  
b. 成品导通阻抗: 200mΩ (max).  
c. 绝缘阻抗: 300V/DC 10MΩ (min).
  - 摇摆测试: 吊重200g,  $\pm 60$ 度 30次/分 2000次导通OK.
  - 额定电压 (PIN 接触): 9Volts
  - 额定电流 (PIN 接触): 3A maximum
  - 盐雾测试: 5%盐雾浓度, 温度35° C, 测试时间24小时, 无腐蚀.
  - 工作弹力单PIN:
    - 1) 按压行程1.0mm (PIN 接触)
    - 2) 单PIN弹力: 50  $\pm$  15gf
  - 寿命测试:
    - 1) 按压行程1.0mm, 10,000次 (Min)
  - 线材防火等级: VW-1
  - 工作温度范围: -30~85° C
  - 标注\*尺寸为重点管控
  - 环保符合: ROHS2.0, 外露部分符合加州65

Wiring table

P1		P2
1	白色	CC
2	红色	VCC
3		
4	黑色	GND

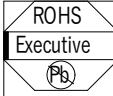


"UNLESS OTHERWISE STATED ALL DIMENSIONS ARE IN MILLIMETRES LINEAR TOLERANCE: X,  $\pm 0.20$  .X  $\pm 0.15$  .XX  $\pm 0.10$  X\*  $\pm 2^\circ$  .X\*  $\pm 0.5^\circ$ "  
Pomagtor  
Website: www.pomagtor.net

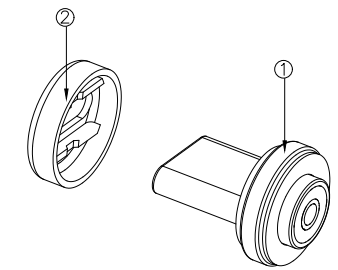
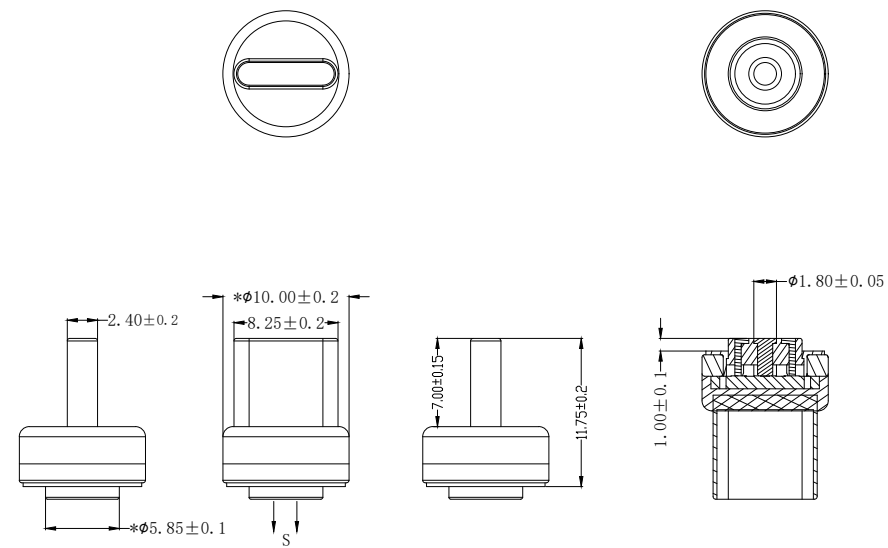
**POMAGTOR**  
POGO PIN - 16 YEARS OF PROFESSIONAL  
Magnetic connector - professional for customization

Item	Part NO.	Part Name	Description	QTY
5	HY700.1100010000-03	压环	AK-3P-2-M 压环 (消化在制品) OD:10.05*ID:8.5*H:1.0mm 材质: HB159-1.5无铅铜 镀镍50-120u", 盐雾48小时	1pcs
4	HY770.0500250000-01	磁铁	AK-3P/M 圆柱形磁铁 OD:5.0*H:2.5mm 材质: N52 镀镍200u"Min 充磁	1pcs
3	HY210.0700200808-01	胶料	TPE原料 硬度 90A: 白色	0.008Kg
2	HY75.00463-003	胶料	PE原料 颜色: 透明	0.003Kg
1	HY601.0301800014-01	半成品	半成品 AK-3P-2/M L=0.14M 焊接磁吸头	1pcs

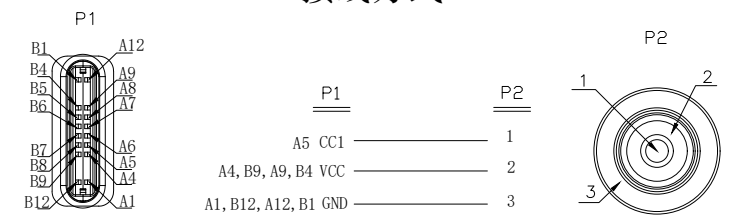
TITLE	磁吸连接件	REV	AD	DRAWN BY	CHECKED BY	APPROVED BY
SPEC	AK-手游 3P/M PH1.8 L=0.102M	SCALE	1	LZH	-	-
PART NO	HY900.0301800011-01	UNIT	mm			
VEIW ANGLE		DATE	2022.06.17			
		SHEET	1 of 1			



REV	ECN NO.	DETAILS	BY	DATE
1	AD	The new version was released	LZH	2022.06.17
2				
3				



### 接线方式



- NOTES:  
 1.0 PLATING:  
 1)Magnetic copper shell:HBi59-1.5 Palladium plated 3-5u"  
 2) Copper pillar: HBi59-1.5 Palladium plated 5-10u"  
 3)Housing: PA9T WHITE  
 4)Magnet:N52  
 2.0 Rated voltage(Per Contact):9 Volts  
 3.0 Rated Current(Per Contact):3A maximun  
 4.0 Working Temperature Range: -30~85° C  
 5.0 Salt spray: 24H  
 5.0 Mark \* size as key control

A1	A2	A3	A4	A5	A6	A7	A8	A9	A10	A11	A12
GND			VCC	CC1	D+	D-	SUB1	VCC			GND
B12	B11	B10	B9	B8	B7	B6	B5	B4	B3	B2	B1
GND			VCC	SUB2	D-	D+	NC	VCC			GND

"UNLESS OTHERWISE STATED ALL DIMENSIONS ARE IN MILLIMETRES LINEAR TOLERANCES:  
 X,±0.20 .X±0.15 .XX±0.10  
 X°,±2° .X°±0.5°"  
 Pomagtor  
 Website:www.pomagtor.net

**POMAGTOR**  
 POGO PIN - 16 YEARS OF PROFESSIONAL  
 Magnetic connector - professional for customization

3	HY211.0600023410-01	色粉	色粉 色号23410 PA料配白色	0.0000624Kg
2	HY211.06V0002435-01	胶料	PA9T 本色料 型号2435 防火94v0 (厂家亦恩) ROHS 2.0	0.003Kg
1	HY611.MF03050180-01	半成品	AK-3P/F 焊接磁铁+铜壳+支架 (模内注塑)	1pcs
Item	Part NO.	Part Name	Description	Q TY

TITLE	磁吸连接器	REV	AD	DRAWN BY	CHECKED BY	APPROVED BY
SPEC	AK-3P-2/F材质PA9T白色P针镀钯金5u"	SCALE	1	LZH	-	-
PART NO	HY910.MF03050180-01	UNIT	mm			
VEIW ANGLE		DATE	2022.06.17			
		SHEET	1 of 1			