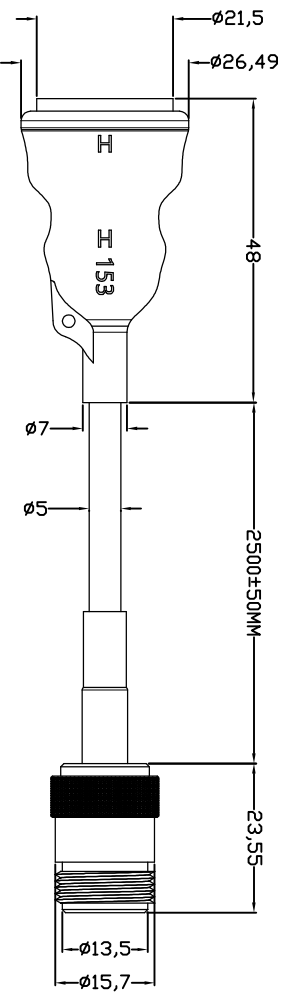


REV	BOM NO.	DETAILS	BY	DATE
1	AD	The new version was released	LH	2022.09.26
2				
3				



衰减和平均功率(20℃在海平面测试条件下)  
Attenuation&Average Power@20CandSea Level

频率Frequency(Mhz)	衰减Attenuation(dB/m)	平均功率Average power(KW)
450	0.22	0.26
900	0.32	0.18
1500	0.42	0.14
1800	0.46	0.13
2000	0.49	0.12
2500	0.55	0.10
5800	0.86	0.07

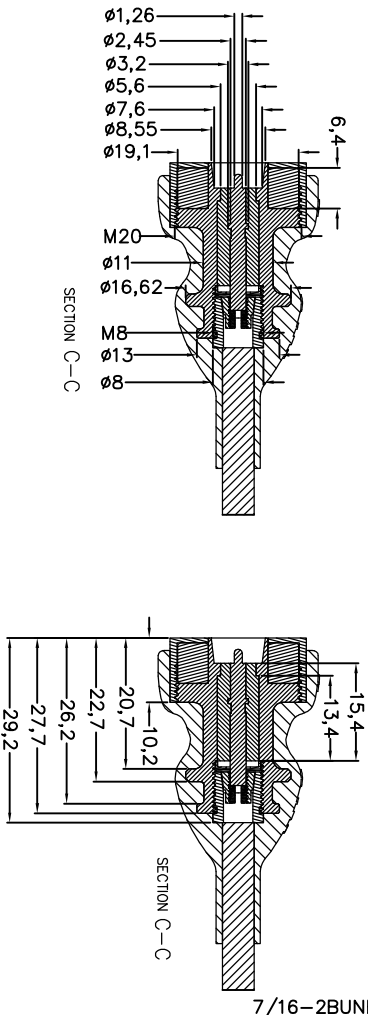
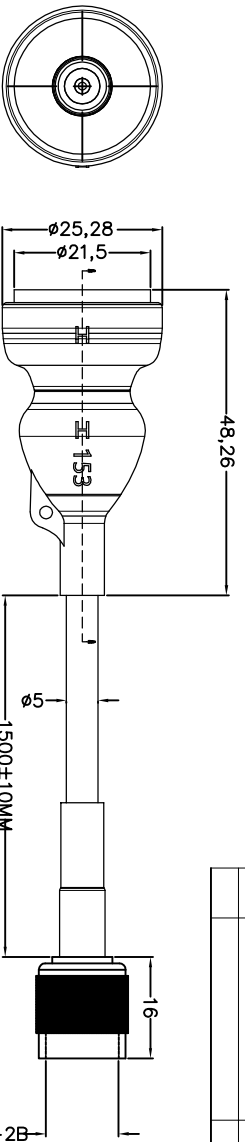
9	wire rod	-	材料规格:300MHZ-6000MHZ 阻抗:50Ω 功率耗损:3000V 峰值功率:2.5KW AN ten AX 390L19H-EDD ANT-19S 50欧姆同轴电缆 低损耗外层镀CPR在Ca RDHS3 FT0015923	1pcs	2500mm
8	outer shell	SUS316L	Ni2.5um Salt fog 48 h	1pcs	
7	热缩套管	SRT-RRS		1pcs	
6	contact pin	HB159-15	Ni1.5um-Ni3um+Au0.075um	1pcs	
5	outer shell	SUS316L		1pcs	
4	housing	pom	White Halogen free	2pcs	
3	magnet	n52	Ni2.5um Salt fog 48 h	1pcs	
2	contact pin	HB159-15	Ni1.5um-Ni3um+Au0.075um	1pcs	
1	outer shell	TPE	Black Halogen free	1pcs	
Item	Part Name	Material		Q'TY	Remarks

\*UNLESS OTHERWISE STATED  
ALL DIMENSIONS ARE IN  
MILLIMETRES  
LINEAR TOLERANCE:  
X:±0.20 X:±0.15 XX:±0.10  
X'±.2° X'±0.5°  
Pomogtor  
Website:www.pomogtor.net

**POMAGTOR**  
16 YEARS OF PROFESSIONAL  
Magnetic connector - professional for customization

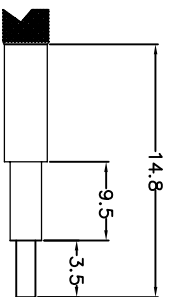
ITEM	规格-材料	REV	A4	DRAWN	CHECKED	APPROV
S/NL	/	SCALE	1	BY	BY	BY
RD.S/NL	/	UNIT	mm			
VEIW		DATE	2022/09/26	LH		
ANGLE		SHEET	1 of 1			

REV	ECN NO.	DETAILS	BY	DATE
1	AO	The new version was released	LH	2022.11.02
2				
3				



衰减和平均功率(20°C在海平面测试条件下)  
Attenuation & Average Power @20CandSea Level

频率(Frequency)(Mhz)	衰减(Attenuation)(dB/m)	平均功率(Average power)(KW)
450	0.22	0.26
900	0.32	0.18
1500	0.42	0.14
1800	0.46	0.13
2000	0.49	0.12
2500	0.55	0.10
5800	0.86	0.07



Item	Part Name	Material	Q'TY	Remarks
11	nut	SUS316	1pcs	
10	lead screw	SUS316	1pcs	
9	wire rod	RG142.SYV50-3.RG58.RG223 规格: 50 平方毫米 3000V 绝缘材料: 2.5kw RG142.SYV50-3.RG58.RG223屏蔽同轴电缆 屏蔽式外层铝CPR 规格: ROHS3 FT0015923	1pcs	2500mm
8	GPS天线接头	TNC-C-J-3	1pcs	
7	热缩套管	SRT-RS	1pcs	
6	MAIN STAND	SUS316	1pcs	Ni1.5um-Ni3um
5	outer shell	HB159-1.5	1pcs	Ni1.5um-Ni3um
4	housing	pom	2pcs	White Halogen free
3	magnet	n52	1pcs	Ni2.5um Salt fog 48 h
2	contact pin	HB159-1.5	1pcs	Ni1.5um-Ni3um+Au0.075um
1	outer shell	TPE	1pcs	Black Halogen free

\*UNLESS OTHERWISE STATED  
ALL DIMENSIONS ARE IN  
MILLIMETERS  
LINEAR TOLERANCE:  
X:±0.20 X:±0.15 XX:±0.10  
X:±.2° X:±0.5°  
Pomagtor  
Website:www.pomagtor.net

**POMAGTOR**  
PROFESSIONAL CUSTOMIZATION SINCE 2007  
HIGH FREQUENCY POGO PIN MAGNETIC CONNECTOR

TITLE	REV	A4	DRAWN BY	CHECKED BY	APPROVED BY
POGOPIN CONNECTOR					
SPEC	规格书-连接器-TNC-C-J-3	SCALE	1		
PART NO	RD90.LH.20221103-002	UNIT	mm	Wenbo	ibao
VEIW ANGLE		DATE	2022/11/03		
		SHEET	1 of 1		