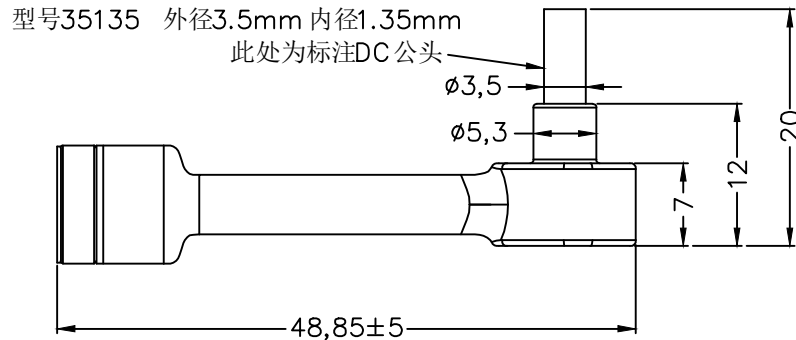
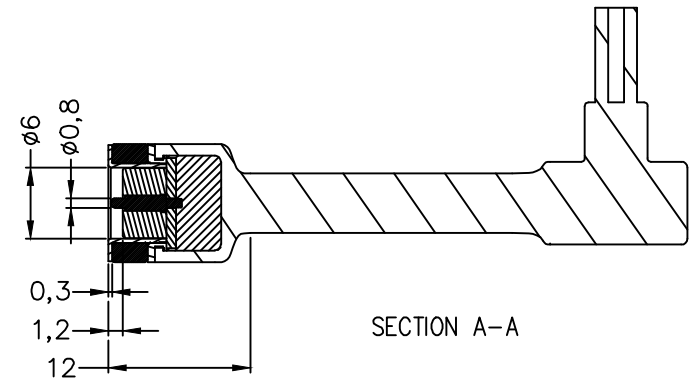
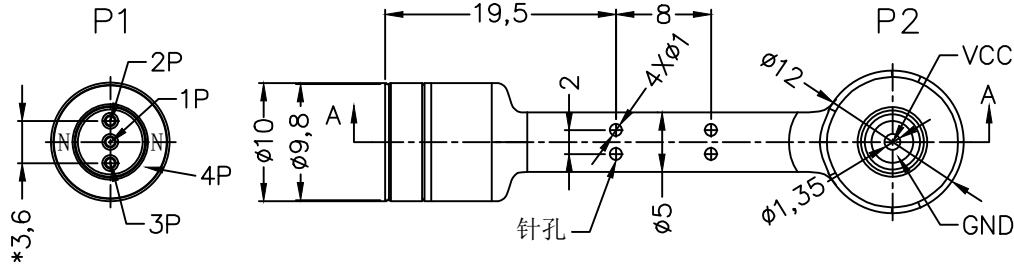
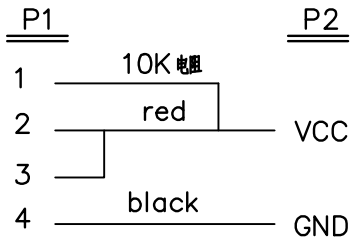


Material code	Product color
RD90.LZH0220704-003	White
RD90.LZH0220816-004	Black
RD90.LZH0220816-005	light grey

REV	ECN NO.	DETAILS	BY	DATE
1	A0	new version release	LZH	2022/08/10
2	A1	增加针孔, 其他不变	LZH	2022/09/16
3	A2	铜壳与针头镀层更新为镀钽金3u" 针管镀钽金1u" 增加选型表, 其他不变	LZH	2022/10/11



Wiring table



- Technical Specification:
- 1.0 a.100% break/short test.
b.On-resistance: 0.3 μ (max).
c.Insulation resistance: 300V/DC 10M Ω (min).
 - 2.0 Swing test: 200g lifting weight, \pm 60 degrees 30 times/min, 2000 times conduction OK.
 - 3.0 Rated voltage (PIN contact): 5Volts
 - 4.0 Rated current (PIN contact): 3A maximum
 - 5.0 Working elastic single PIN:
1).Press stroke 0.8mm (PIN contact): 50gfMax
 - 6.0 Life test:
1)Press stroke 0.8mm, 10,000 times (Min)
 - 7.0 Operating temperature range: -40~85 t
 - 8.0 is marked with "*" as a key dimension.
 - 9.0 The product must conform to the latest RoHS CP65

11	resistance	-	10K 5% 0603	1pcs	-
10	DC plug	-	型号35135 外径3.5mm 内径1.35mm 标注DC公头	1pcs	-
9	electrode ring	H59	Ni1.5~3.0um+Pd 0.075um	1pcs	-
8	Press ring	H59	Nickel plated after 48 hours of salt spray	1pcs	-
7	magnet	N52	Nickel plated after 48 hours of salt spray	1pcs	-
6	pogopin	HBI59-1.5	Plunger Ni1.5~3.0um+Pd 0.075um Barrel Ni1.5~3.0um+Pd 0.025um	3pcs	-
5	PCB	FR-4	-	1pcs	-
4	Housing	PA9T White	Fire rating: UL94V-0	1pcs	-
3	Outer mold	TPE 90A White	-	1pcs	-
2	Internal mold	LD-PE transparent	-	1pcs	-
1	Wire rod	TPE White	-	0.04m	-
Item	Part Name	Material	Finish	Q'TY	Remarks

*UNLESS OTHERWISE STATED ALL DIMENSIONS ARE IN MILLIMETRES
LINEAR TOLERANCE:
X. \pm 0.20 .X \pm 0.15 .XX \pm 0.10
X*. \pm 2* .X* \pm 0.5**
Pomagtor
Website:www.pomagtor.net

POMAGTOR
PROFESSIONAL CUSTOMIZATION SINCE 2007
HIGH FREQUENCY POGO PIN MAGNETIC CONNECTOR

ITEM	Male magnetic wire	REV	A2	DRAWN BY	CHECKED BY	APPROVED BY
S/N.	-	SCALE	1	LZH		
RD.S/N.	RD90.LZH0220704-003	UNIT	mm			
VEIW ANGLE		DATE	2022/10/11			
		SHEET	1 of 1			