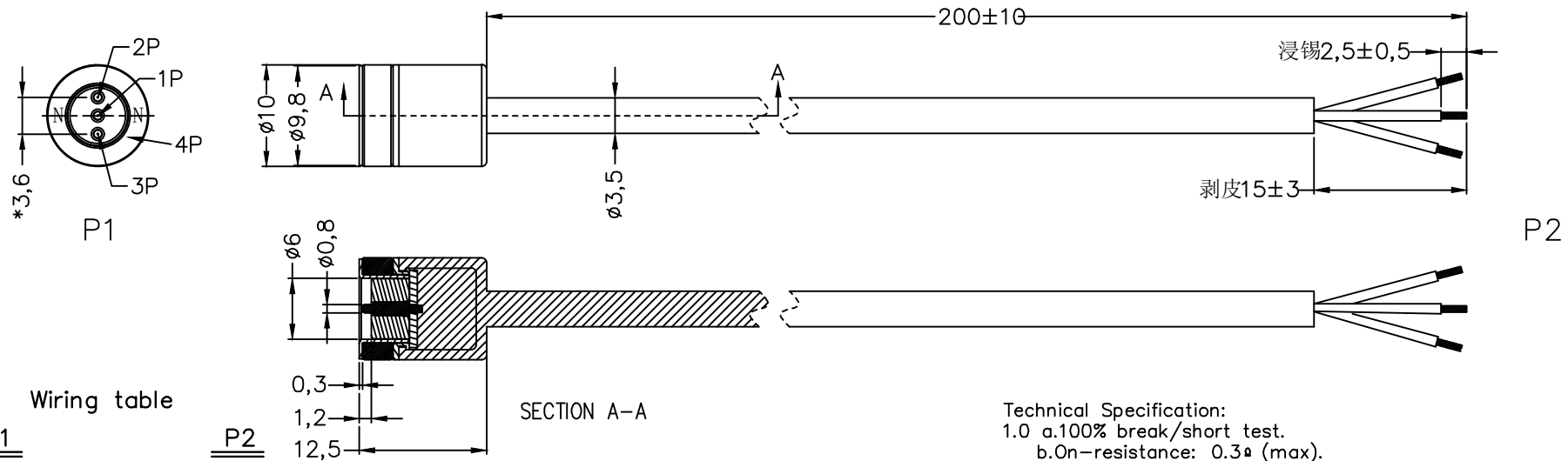


REV	ECN NO.	DETAILS	BY	DATE
1	A0	new version release	LZH	2022/08/10
2	A1	Modify plug length	ZQ	2022/10/09
3	A2	产品颜色更新为灰色, 针头更新为镀钨金3u" 针管镀钨金1u" 增加磁吸力要求	LZH	2022/10/11



Wiring table

P1		P2	
1	White	CC	
2	red	VCC	
3			
4	black	GND	

Technical Specification:

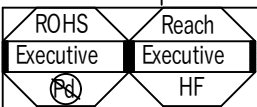
- 1.0 a.100% break/short test.  
b.On-resistance: 0.3 $\Omega$  (max).  
c.Insulation resistance: 300V/DC 10M $\Omega$ (min).
- 2.0 Swing test: 200g lifting weight,  $\pm 60$  degrees 30 times/min, 2000 times conduction OK.
- 3.0 Rated voltage (PIN contact): 5Volts
- 4.0 Rated current (PIN contact): 3A maximum
- 5.0 Working elastic single PIN:  
1).Press stroke 0.8mm (PIN contact): 50gfMax
- 6.0 Life test:  
1)Press stroke 0.8mm, 10,000 times (Min)
- 7.0 The minimum magnetic suction force should be more than 220 grams
- 8.0 Operating temperature range:  $-40\sim 85^{\circ}\text{C}$
- 9.0 is marked with "\*" as a key dimension.
- 10.0 The product must conform to the latest RoHS CP65

9	electrode ring	H59	Ni1.25~3.0um+Pd 0.075um	1pcs	-
8	Press ring	H59	Nickel plated after 48 hours of salt spray	1pcs	-
7	magnet	N52	Nickel plated after 48 hours of salt spray	1pcs	-
6	pogopin	HBI59-1.5	Plunger Ni1.25~3.0um+Pd 0.075um Barrel Ni1.25~3.0um+Pd 0.025um	3pcs	-
5	PCB	FR-4	-	1pcs	-
4	Housing	PA9T gray	Fire rating: UL94V-0	1pcs	-
3	Outer mold	TPE 90A gray	Fire rating: UL94V-0	1pcs	-
2	Internal mold	LD-PE transparent	-	1pcs	-
1	Wire rod	TPE gray	Fire rating: UL94V-0	0.2m	OD: $\phi 3.5$
Item	Part Name	Material	Finish	Q'TY	Remarks

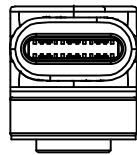
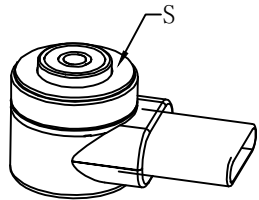
\*UNLESS OTHERWISE STATED  
ALL DIMENSIONS ARE IN  
MILLIMETRES  
LINEAR TOLERANCE:  
X: $\pm 0.20$  .X: $\pm 0.15$  .XX: $\pm 0.10$   
X\*: $\pm 2^{\circ}$  .X\*: $\pm 0.5^{\circ}$   
Pomagtor  
Website:www.pomagtor.net

**POMAGTOR**  
PROFESSIONAL CUSTOMIZATION SINCE 2007  
HIGH FREQUENCY POGO PIN MAGNETIC CONNECTOR

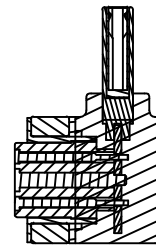
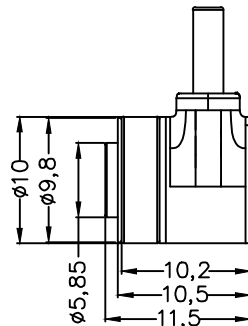
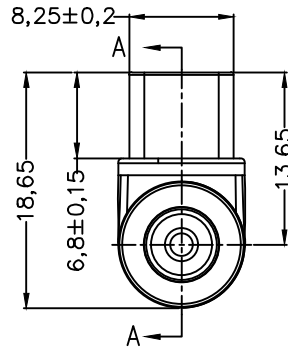
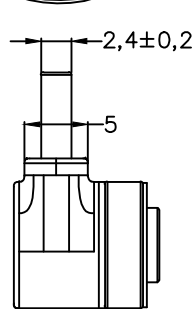
ITEM	Magnetic connector	REV	A2	DRAWN BY	CHECKED BY	APPROVED BY
S/N.	HY901.0301800020-01	SCALE	1	LZH		
RD.S/N.	RD90.LZH0220704-002	UNIT	mm			
VEIW ANGLE		DATE	2022/10/11			
		SHEET	1 of 1			



REV	ECN NO.	DETAILS	BY	DATE
1	A0	new version release	LZH	2022/08/10
2	A1	铜壳与插针镀层更新为镀钯金3u” 增加选型表, 其他不变	LZH	2022/10/11
3				

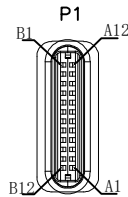


NOTES:  
 1.0 Rated voltage: 5 Volts  
 2.0 Rated Current: 3 A maximum  
 3.0 Contact Resistance: 50mΩ maximum  
 4.0 Salt Spray: 48H Min  
 5.0 Working Temperature Range: -40~85°C  
 6.0 Marked with “\*” as key dimension  
 7.0 The product must conform to the latest RoHS CP65



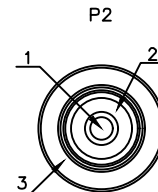
SECTION A-A

A1	A2	A3	A4	A5	A6	A7	A8	A9	A10	A11	A12
GND	TX1+	TX1-	VCC	CC1	D+	D-	SUB1	VCC	RX2-	RX2+	GND
B12	B11	B10	B9	B8	B7	B6	B5	B4	B3	B2	B1
GND	RX1+	RX1-	VCC	SUB2	D-	D+	NC	VCC	TX2-	TX2+	GND

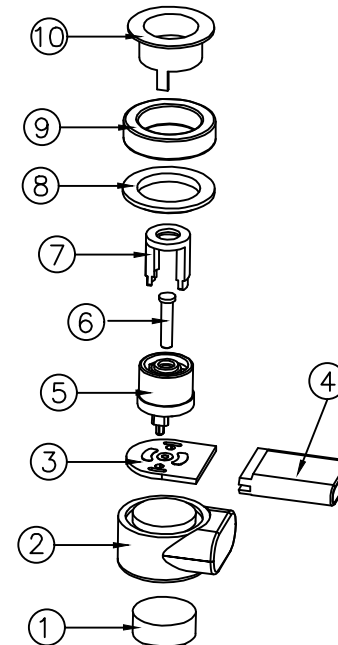


Connection method

	P1	P2
A5	CC1	1
A4, B9, A9, B4	VCC	2
A1, B12, A12, B1	GND	3



Material code	Product color
RD90.LZH0220704-001	White
RD90.LZH0220816-002	Black
RD90.LZH0220816-003	light grey



10	electrode ring	H59	Ni1.5~3.0um+Pd 0.075um	1pcs	-
9	Magnet	N52	Nickel plated after 48 hours of salt spray	1pcs	-
8	Press ring	H59	Nickel plated after 48 hours of salt spray	1pcs	-
7	electrode ring	H59	Ni1.5~3.0um+Pd 0.075um	1pcs	-
6	pin	HBI59-1.5	Ni1.5~3.0um+Pd 0.075um	1pcs	-
5	Housing	PA9T White	Fire rating: UL94V-0	1pcs	-
4	TYPE-C plug	-	-	1pcs	-
3	PCB	FR-4	-	1pcs	-
2	External Molding Plastic	TPE 90A White	Fire rating: UL94V-0	1pcs	-
1	Internal Molding Plastic	PE Raw Material Color: Transparent	-	1pcs	-
Item	Part Name	Material	Finish	Q'TY	Remarks

\*UNLESS OTHERWISE STATED  
 ALL DIMENSIONS ARE IN MILLIMETRES  
 LINEAR TOLERANCE:  
 X:±0.20 .X±0.15 .XX±0.10  
 X\*:±2\* .X\*:±0.5\*\*  
 Pomagtor  
 Website:www.pomagtor.net

**POMAGTOR**  
 PROFESSIONAL CUSTOMIZATION SINCE 2007  
 HIGH FREQUENCY POGO PIN MAGNETIC CONNECTOR

ITEM	Magnetic connector	REV	A0	DRAWN BY	CHECKED BY	APPROVED BY
S/N.	-	SCALE	1	LZH		
RD.S/N.	RD90.LZH0220704-001	UNIT	mm			
VEIW ANGLE		DATE	2022/10/11			
		SHEET	1 of 1			