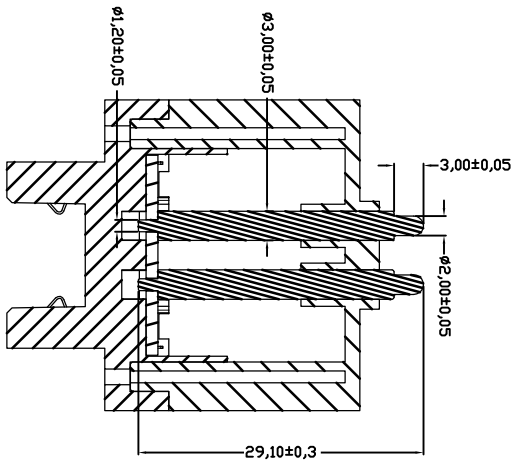
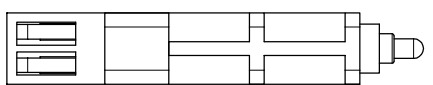
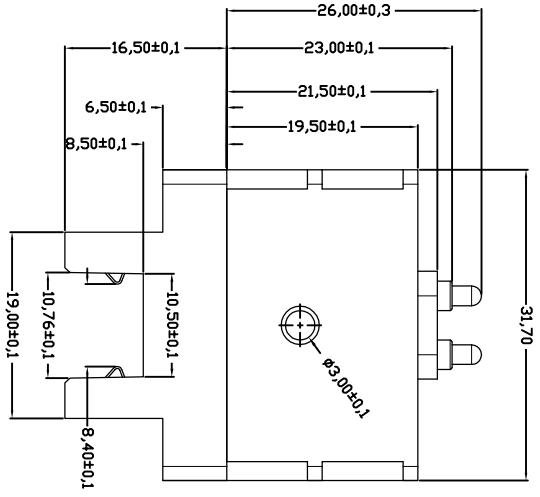
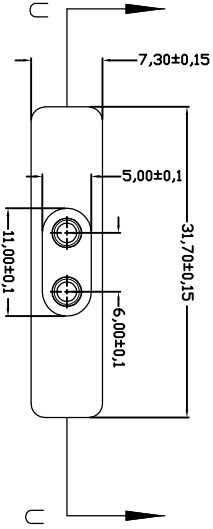
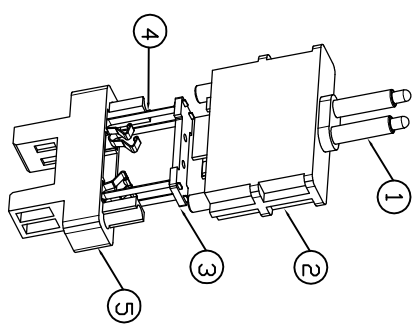


REV	ECN NO.	DETAILS	BY	DATE
1	AD	The new version was released	LH	2022.07.04
2				
3				



SECTION U-U



Technical Specification:
 1) Insulation resistance: 300V/DC 10M Ω /min.
 2) Swing test: 500g lifting weight, \pm 60 degrees 30 times/min, 2000 times conduction OK.
 3) Rated voltage (PIN contact): 12Volts
 4) Rated current (PIN contact): 4A maximum
 5) Working elastic single PIN:
 1) Press stroke: 2.5mm (PIN contact): 80gfMax
 6) Life test:
 1) Press stroke 2.5mm, 10,000 times (Min)
 7. Operating temperature range: -30~85 \pm 8.94V0 fire protection
 9) Salt Spray Test: 5% Salt Spray Concentration, 10. is marked with "*" as a key dimension.

*UNLESS OTHERWISE STATED ALL DIMENSIONS ARE IN MILLIMETRES
 LINEAR TOLERANCE:
 X:±0.20 .X:±0.15 .XX:±0.10
 X*±2° .X*±0.5°
 Pomaqtor
 Website:www.pomaqtor.net

POMAGTOR
 POGO PIN - 16 YEARS OF PROFESSIONAL
 Magnetic connector - professional for customization

Item	Part Name	Material
1	Pogo Pin	HB159-115
2	connector plug	PA9T
3	PCB	FR-4 磷
4	shrapnel	磷青铜
5	Receptacle Connectors	PA9T
6		
7		
8		

TITLE	POGO PIN connector	REV	AD	DRAWN	CHECKED	APPROVED
SPEC	2pin-连接器	SCALE	1	BY	BY	BY
PART NO	RD90LH20220704-002	UNIT	mm	LH	-	-
VEIW ANGLE		DATE	2022.07.04	SHEET	1 of 1	