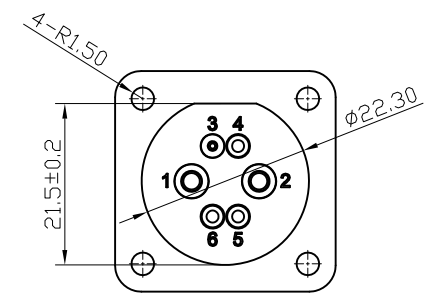
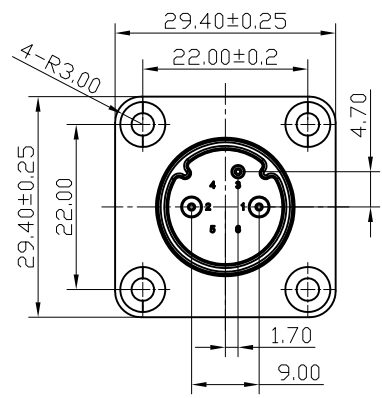
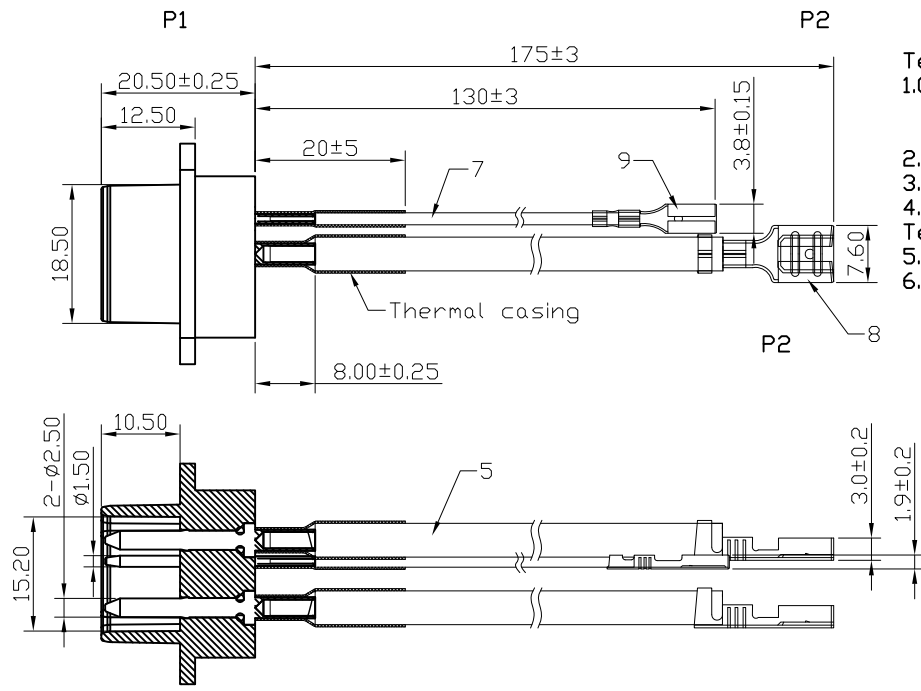


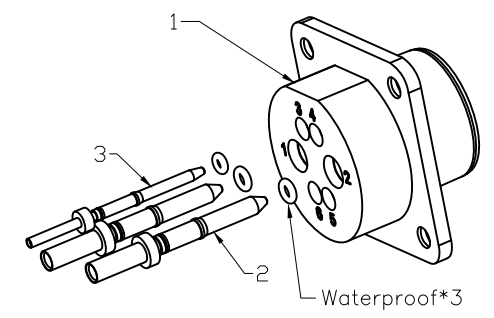
REV	ECN NO.	DETAILS	BY	DATE
1				



BACK VIEW



Technical Specification:
 1.0 a. 100% Open/Short test.
 b. ON-resistance: 10 Ω (max).
 c. Insulation Resistance: 300V/DC 10M Ω (min).
 2.0 Rated Voltage : 29.4Volts (PIN1&PIN2).
 3.0 Rated Current : 13A (PIN1&PIN2).
 4.0 Salt Spray Test: 5% Salt Spray Concentration, Temperature 35°C, Test Time 48 Hours, No Corrosion.
 5.0 Operating Temperature Range: -40~+80°C.
 6.0 Environmental Requirements: RoHS2.0.



PIN ASSIGNMENT

P1		P2
1	Red	VCC
2	Black	GND
3	White	C1

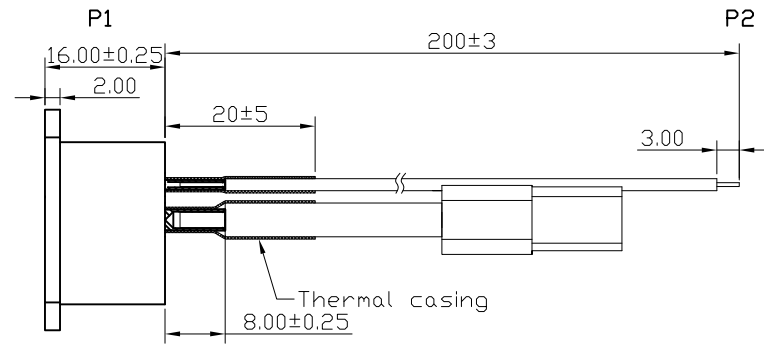
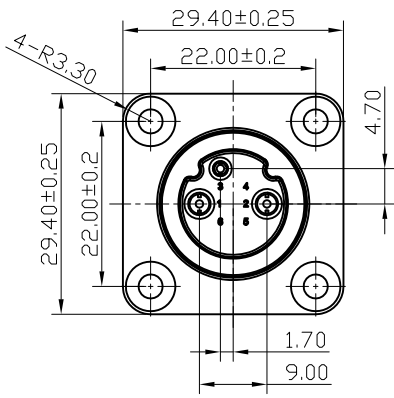
9	2.8mm plug spring	1pcs	Brass	Tin plated	With sheath
8	6.3mm plug spring	2pcs	Brass	Tin plated	With sheath
7	Cable 3	1pcs	Silicone Line	24AWG White
6	Cable 2	1pcs	Silicone Line	13AWG Black
5	Cable 1	1pcs	Silicone Line	13AWG Red
4	Waterproof	3pcs	Silica Gel
3	Pin 2	1pcs	Brass	Gold 0.25mm min plated over 1.25~3.0um Nickel	Ø3.1*28
2	Pin 1	2pcs	Brass	Gold 0.25mm min plated over 1.25~3.0um Nickel	Ø4.5*28
1	Housing	1pcs	PBT Black
Item	Part Name	Q'TY	Material	Finish	Remark

"UNLESS OTHERWISE STATED ALL DIMENSIONS ARE IN MILLIMETRES
 LINEAR TOLERANCE:
 X \pm 0.20 .X \pm 0.15 .XX \pm 0.10
 X \pm 2° .X \pm 0.5°"
 Pomagtor
 Website:www.pomagtor.net

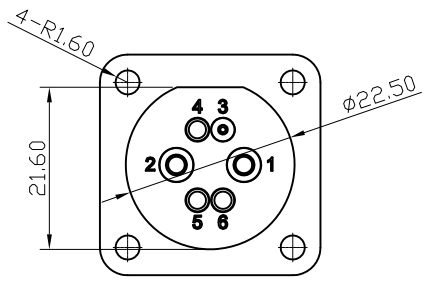
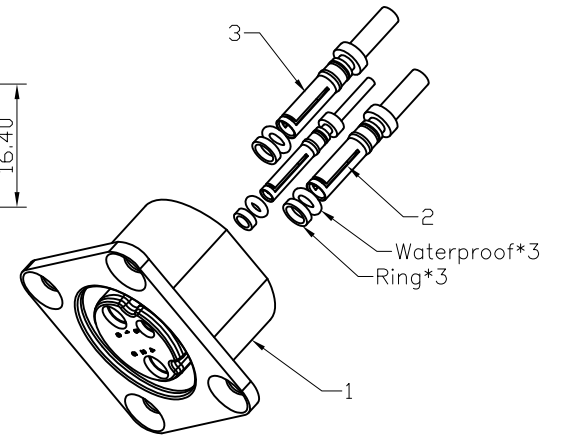
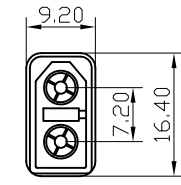
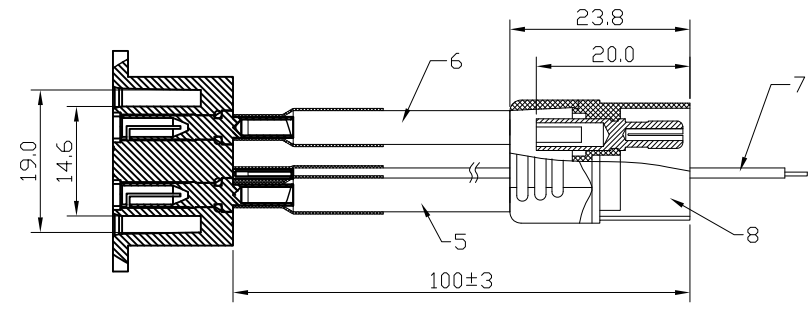
POMAGTOR
 POGO PIN - 16 YEARS OF PROFESSIONAL
 Magnetic connection-professional for customization

TITLE	Connecting Cable	REV	A0	DRAWN BY	CHECKED BY	APPROVED BY
SPEC	ZYDL-3P MALE	SCALE	1			
PART NO	HY900.0309000016-01	UNIT	mm			
VEIW ANGLE		DATE	21/07/07	Lemon	Qingsong	Eidson
		SHEET	1 of 1			

REV	ECN NO.	DETAILS	BY	DATE
1				



Technical Specification:
 1.0 a. 100% Open/Short test.
 b. ON-resistance: 10Ω(max).
 c. Insulation Resistance: 300V/DC 10MΩ(min).
 2.0 Rated Voltage : 29.4Volts (PIN1&PIN2).
 3.0 Rated Current : 13A (PIN1&PIN2).
 4.0 Salt Spray Test: 5% Salt Spray Concentration, Temperature 35°C, Test Time 48 Hours, No Corrosion.
 5.0 Operating Temperature Range: -20~+80°C.
 6.0 Environmental Requirements: RoHS2.0.



BACK VIEW

PIN ASSIGNMENT

P1		P2
1	Red	VCC
2	Black	GND
3	White	C1

8	XT60H-M	1pcs	PA+COPPER ALLOY	Gold plated
7	Cable 3	1pcs	Silicone Line	24AWG White
6	Cable 2	1pcs	Silicone Line	13AWG Black
5	Cable 1	1pcs	Silicone Line	13AWG Red
4	Waterproof	3pcs	Silica Gel
3	Pin 2	1pcs	Brass	Gold 0.25mm min plated over 1.25~3.0um Nickel	φ3.1*23
2	Pin 1	2pcs	Brass	Gold 0.25mm min plated over 1.25~3.0um Nickel	φ4.5*23
1	Housing	1pcs	PBT Black
Item	Part Name	Q'TY	Material	Finish	Remark

*UNLESS OTHERWISE STATED ALL DIMENSIONS ARE IN MILLIMETRES
 LINEAR TOLERANCE:
 X.±0.20 .X±0.15 .XX±0.10
 X*.±2° .X*±0.5°
 Pomagtor
 Website:www.pomagtor.net

POMAGTOR
 POGO PIN - 16 YEARS OF PROFESSIONAL
 Magnetic connection-professional for customization

TITLE	Connecting Cable	REV	A0	DRAWN BY	CHECKED BY	APPROVED BY
SPEC	ZYDL-3P FEMALE	SCALE	1			
PART NO	HY900.0309000020-01	UNIT	mm			
VEIW ANGLE		DATE	21/07/07	Lemon	Qingsong	Eidson
		SHEET	1 of 1			