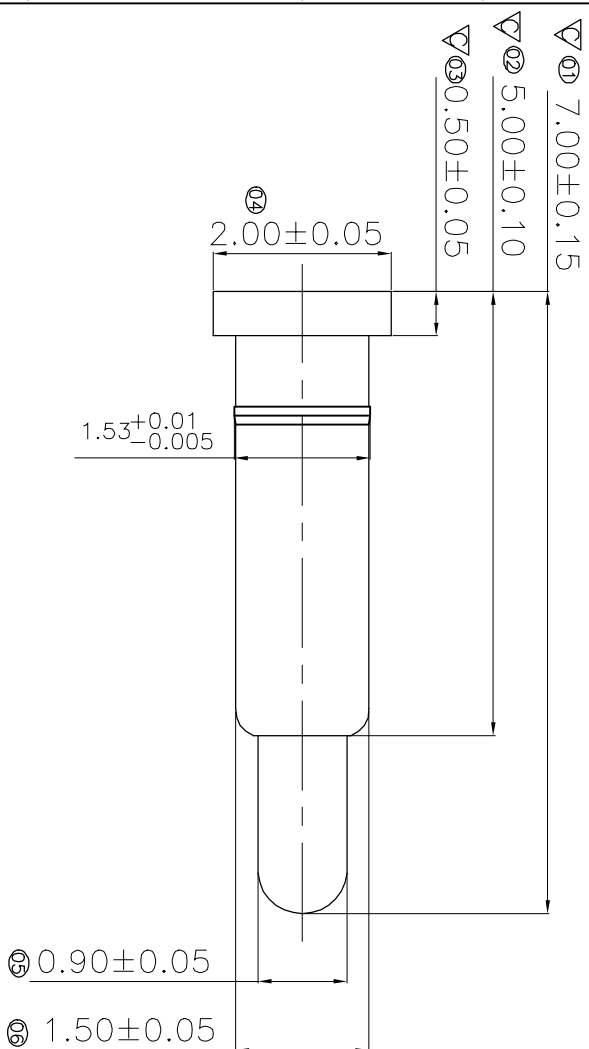
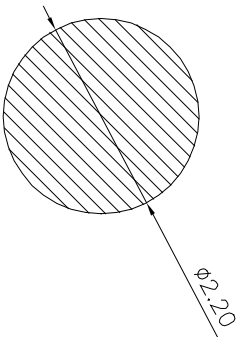
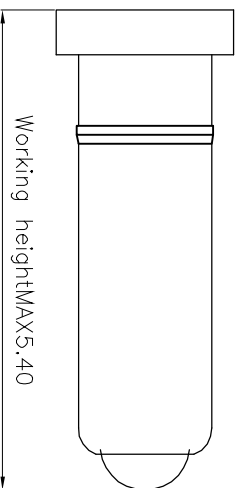


								变更针头与针管结构



NOTE:

1. Material
Plunger: Brass
2. Plating
.Contact surface: 1 μ " minimum Au over 80~100u" Ni
3. Electrical
.Rated Current & Voltage: DC 12V; AC 1~1.65A, 24H
.Contact Resistance: 25m Ω maximum
4. RoHS COMPLETED PRODUCT.
5. Elasticity: Stroke 0mm; 10gf Stroke 0.25mm; 50gf Stroke 1.60mm
(or fully compressed): 100-150gf
6. Life (Million): stroke range Max 0.5~4mm, 根据Pin的总类不一样Max. Stroke 10000次 Touch down后重量变化 0.5g以内Creep变形最小化
7. Temperature: -40度~150度
8. Use: 电子摄影; 通电; 手机; 天线、接地、电池接触。



PCB LAYOUT

Layout Tolerance: ±0.20mm

DIM	TOL	DIM	TOL
X		X	3'
X.X	±0.20	X.X'	
X.XX	±0.15	X.XX'	
X.XXX	±0.10	X.XXX'	

Spring Probe		DATE		DRAW NAME:	
设计: 譚立強		2012.02.13		深圳市泰科汉泽精密电子有限公司 Tyco Hancorn Precision Electronics	
DESIGN: 譚立強		2012.02.13		MATERIAL: Brass C3604	
CHECK:		FILE:		FINISH: Au-1~3 μ " Ni, 80~120 μ "	
REVIEW:		REV. A1		SCALE N/A	
		P/N: SEE TABLE		UNIT: mm	
		SHEET: 1/1		SPE TABLE	