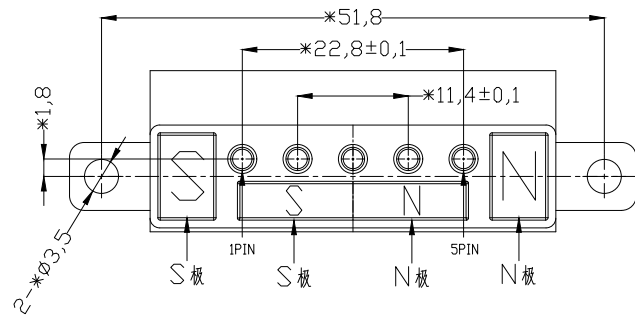


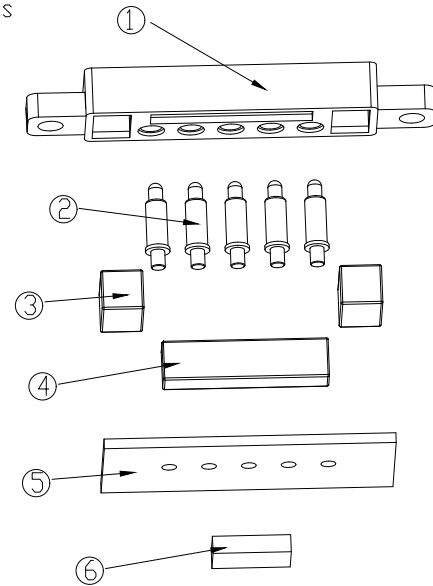
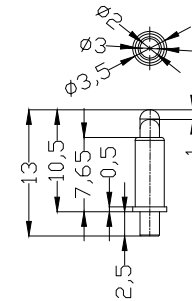
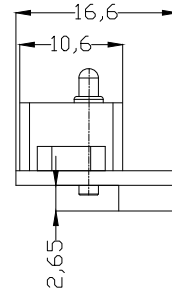
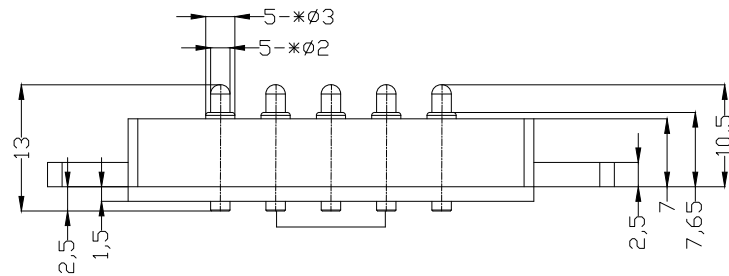
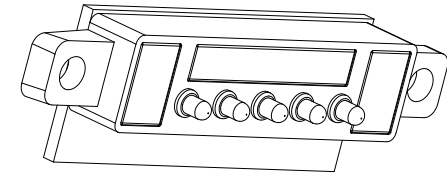
ROHS
Executive

REV	ECN NO.	DETAILS	BY	DATE
1	AD	new version release	LZH	2022.05.05
2				
3				

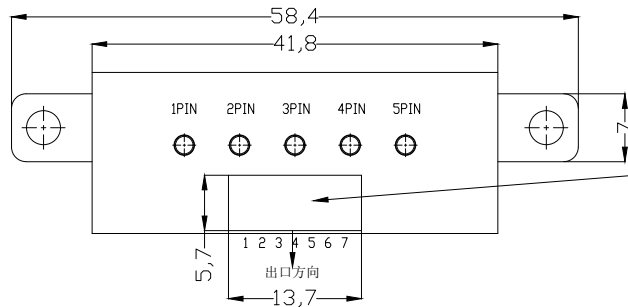


NOTES:

- 1.0 Rated voltage: 5 Volts
- 2.0 Rated Current: 2A maximum
- 3.0 Contact Resistance: 50mΩ maximum
- 4.0 Recommended Working Stroke&Force:
1)Stroke 1.0mm 50±10gf
- 5.0 Mechanical life:
1)Mechanical life: 10,000 Cycles Min
- 6.0 Salt Spray: 48H Min
- 7.0 Working Temperature Range: -40~85°C
- 8.0 Marked with "*" as key dimension
- 9.0 The product must conform to the latest RoHS



3D VIEW



7P 1.25mm连接器线序如下

插座	POGO PIN
1	1 5V
2	
3	2 D-
4	3 DET
5	4 D+
6	
7	5 GND

6	socket terminal	-	Black	1pcs	-
5	PCB	FR-4	-	1pcs	-
4	magnet-2	N52	Ni2.5um	1pcs	-
3	magnet-1	N52	Ni2.5um	2pcs	-
2	pogopin	C3604	Ni2.5um+Au0.075um	5pcs	-
1	Housing	PA9T	Black	1pcs	-
Item	Part Name	Material	Finish	Q TY	Remark

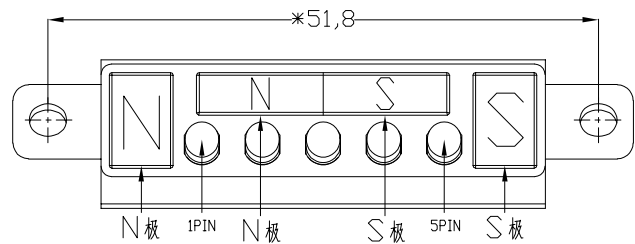
*UNLESS OTHERWISE STATED
ALL DIMENSIONS ARE IN
MILLIMETRES
LINEAR TOLERANCE:
X.±0.20 .X±0.15 .XX±0.10
X°.±2° .X°±0.5°
Pomagtor
Website:www.pomagtor.net

POMAGTOR
PROFESSIONAL CUSTOMIZATION SINCE 2007
HIGH FREQUENCY POGO PIN MAGNETIC CONNECTOR

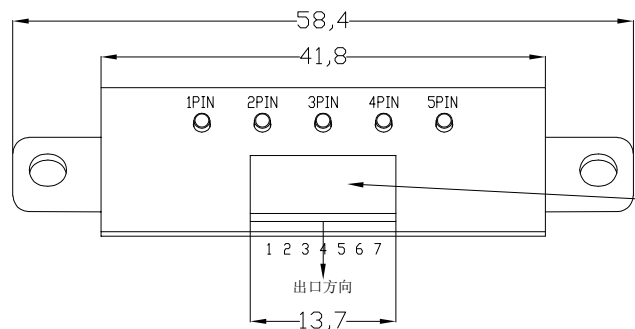
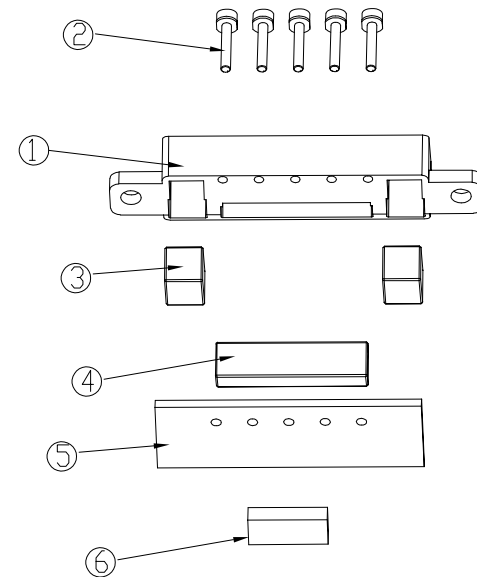
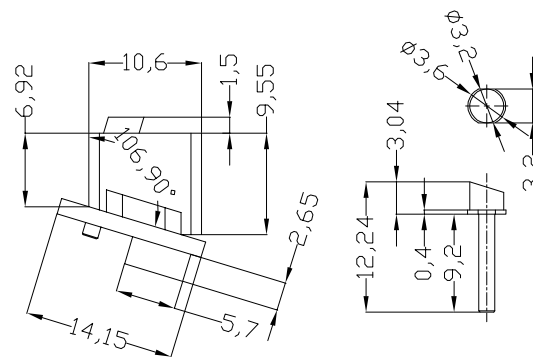
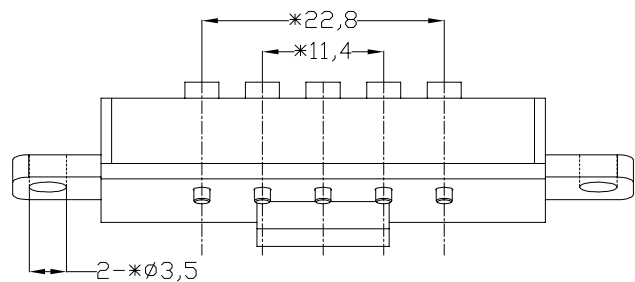
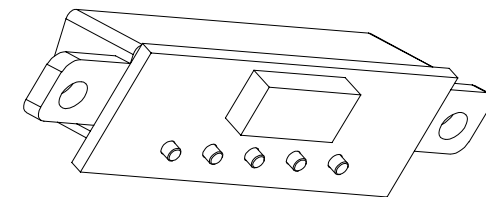
TITLE	REV	BY	CHECKED BY	APPROV BY
Magnetic connector	AD	LZH		
SPEC	SCALE	LZH		
CW 5P/M Black	1			
PART NO	UNIT			
RD90.LZH0220322-001	mm			
VEIW ANGLE		DATE	2022/05/05	
		SHEET	1 of 1	



REV	ECN NO.	DETAILS	BY	DATE
1	AD	new version release	LZH	2022.04.15
2				
3				



- NOTES:
- 1.0 Rated voltage: 5 Volts
 - 2.0 Rated Current: 2A maximum
 - 3.0 Contact Resistance: 50mΩ maximum
 - 4.0 Salt Spray: 48H Min
 - 5.0 Working Temperature Range: -40~85°C
 - 6.0 Marked with "*" as key dimension
 - 7.0 The product must conform to the latest RoHS



7P 1.25mm 连接器线序如下

插座	PIN
1	1 5V
2	
3	2 D-
4	3 DET
5	4 D+
6	
7	5 GND

3D VIEW

Item	Part Name	Material	Finish	Q	TY	Remark
6	socket terminal	-	Black	1	pcs	-
5	PCB	FR-4	-	1	pcs	-
4	magnet-2	N52	Ni2.5um	1	pcs	-
3	magnet-1	N52	Ni2.5um	2	pcs	-
2	pogopin	C3604	Ni2.5um+Au0.075um	5	pcs	-
1	Housing	PA9T	Black	1	pcs	-

TITLE	Magnetic connector	REV	AD	DRAWN BY	CHECKED BY	APPROV BY
SPEC	CW 5P/F Black	SCALE	1	LZH		
PART NO	RD90.LZH0220322-002	UNIT	mm			
VEIW ANGLE		DATE	2022/04/15			
		SHEET	1 of 1			

*UNLESS OTHERWISE STATED ALL DIMENSIONS ARE IN MILLIMETRES
 LINEAR TOLERANCE:
 X:±0.20 .X±0.15 .XX±0.10
 X°.±2° .X°±0.5°
 Pomagtor
 Website:www.pomagtor.net

POMAGTOR
 PROFESSIONAL CUSTOMIZATION SINCE 2007
 HIGH FREQUENCY POGO PIN .MAGNETIC CONNECTOR