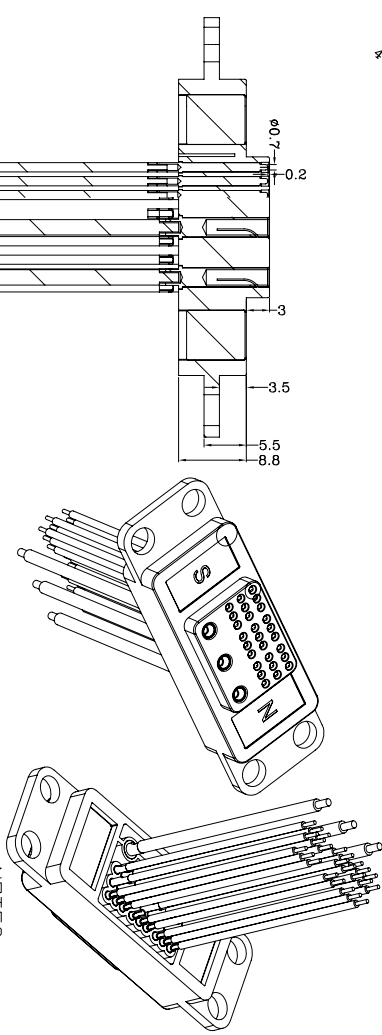
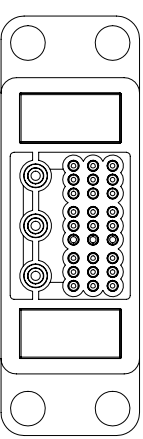
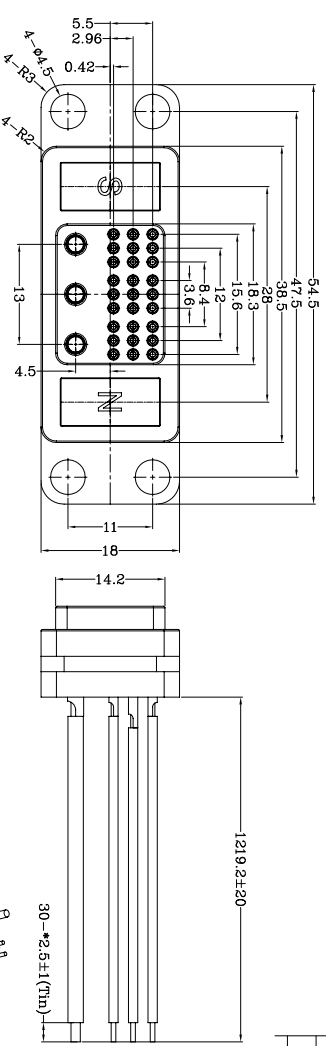
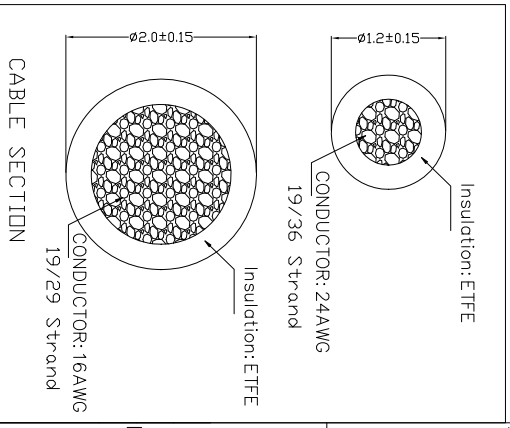


REV	ECN NO.	DETAILS	BY	DATE
1				
2				
3				



- NOTES:
- 1.0 Insulation Resistance: 100M $\Omega$  minimum
  - 2.0 Dielectric Withstanding Voltage: 100V at 60HZ
  - 3.0 Contact Resistance: 30m $\Omega$  maximum before test and 60m $\Omega$  maximum after test at pogo pin working stroke
  - 4.0 Recommended Working Stroke & Force: 1) Stroke 10mm (Per Contact) 50gf max.
  - 5.0 Mechanical life: 10,000 Cycles Min
  - 6.0 Working Temperature Range: -30~85°C



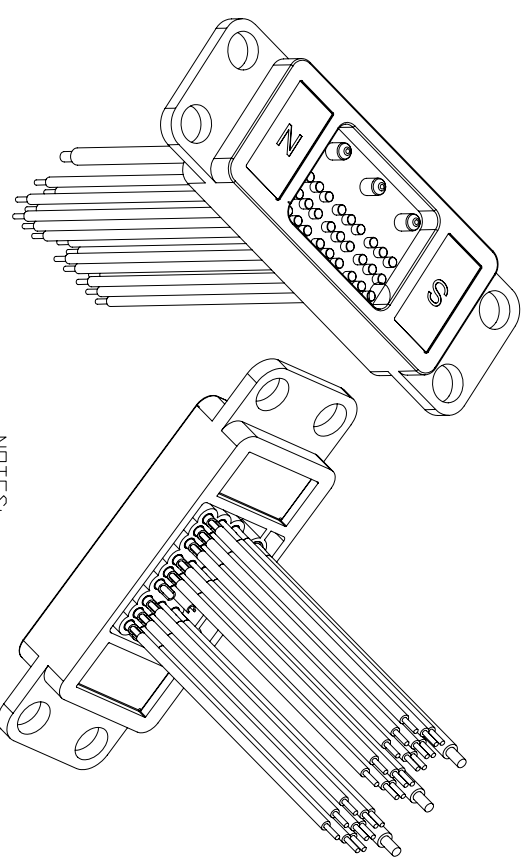
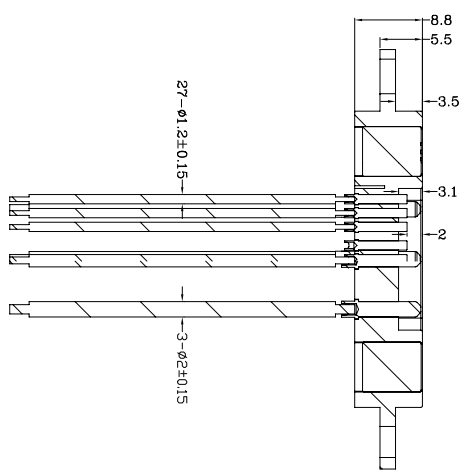
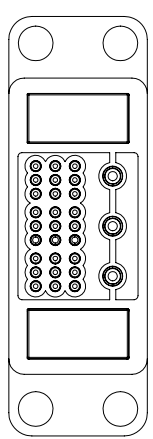
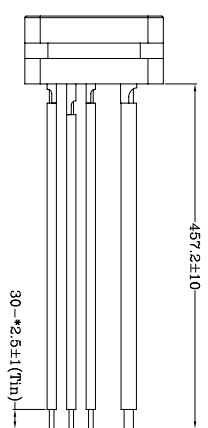
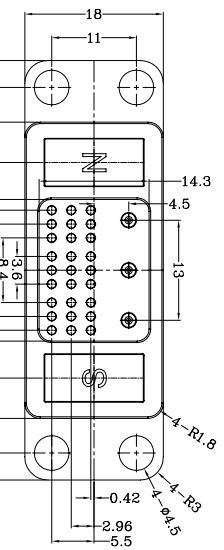
Item	Part Name	Q'TY	Material	Finish	Remark
1	HDUSING	1pcs	nylon black	.....	.....
2	Magnet	2pcs	NS2	Nickel plating 2.5~5um	1315K645*76
3	PIN	3pcs	beryllium bronze	gold 0.125um min plated over 1.25~3.0um Nickel	3.0*14.1
4	POGOPIN	9pcs	C3604	gold 0.125um min plated over 1.25~3.0um Nickel	1.4*15.6
5	POGOPIN	18pcs	C3604	gold 0.125um min plated over 1.25~3.0um Nickel	1.4*14.1
6	Cable	3pcs	ETFE+silver plated copper	19/29 Strand	DD:2.0
7	Cable	27pcs	ETFE+silver plated copper	19/36 Strand	DD:1.2

\*UNLESS OTHERWISE STATED ALL DIMENSIONS ARE IN MILLIMETRES  
 LINEAR TOLERANCE:  
 X $\pm$ 0.20, X $\pm$ 0.15, XX $\pm$ 0.10  
 X $\pm$ .2°, X $\pm$ 0.5°  
 Pomaqtor  
 Website: www.pomaqtor.net

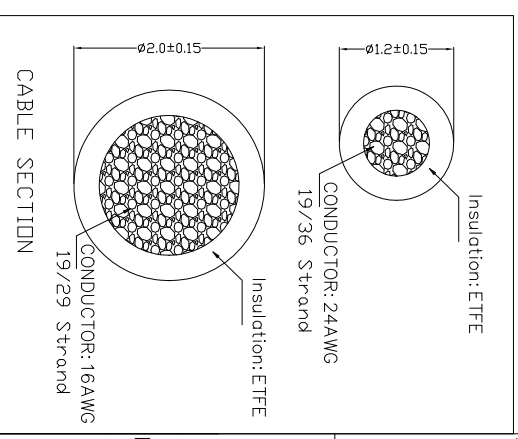
**POMAGTOR**  
 POGO PIN - 16 YEARS OF PROFESSIONAL  
 Magnetic connection - professional for customization

TITLE	REV	SCALE	REV	A0	DRAWN	CHECKED	APPROVED
Magnetic connector							
SPEC							
PART NO							
VEIW ANGLE							

REV	ECN NO.	DETAILS	BY	DATE
1				
2				
3				



NOTES:  
 1.0 Insulation Resistance:100M $\Omega$  minimum  
 2.0 Dielectric Withstanding Voltage:100V at 60HZ  
 3.0 Working Temperature Range: -30-85°C



Item	Part Name	Q'TY	Material	Finish	Remark
1	HDUSING	1pcs	nylon black	.....	.....
2	Magnet	2pcs	NS2	Nickel plating 2.5~5um	1315*6.45*7.6
3	PIN	3pcs	beryllium bronze	.....	2.5*9.3
4	PIN	9pcs	C3604	gold 0.125um min plated over 1.25~3.0um Nickel	1.4*10.8
5	PIN	18pcs	C3604	gold 0.125um min plated over 1.25~3.0um Nickel	1.4*9.3
6	Cable	3pcs	ETFE+silver plated copper	19/29 Strand	DD:2.0
7	Cable	27pcs	ETFE+silver plated copper	19/36 Strand	DD:1.2

\*UNLESS OTHERWISE STATED ALL DIMENSIONS ARE IN MILLIMETRES  
 LINEAR TOLERANCE:  
 X:±0.20 X±0.15 XX±0.10  
 X°.±2° .X°±0.5°  
 Pomaqtor  
 Website:www.pomaqtor.net

**POMAGTOR**  
 POGO PIN - 16 YEARS OF PROFESSIONAL  
 Magnetic connection-professional for customization

TITLE	REV	SCALE	REV	A0	DRAWN	CHECKED	APPROVED
Magnetic connector		1			BY	BY	BY
SPEC	30PIN-F Black L=457mm						
PART NO	***						
VEIW ANGLE							
DATE	21/07/22						
SHEET	1 of 1						