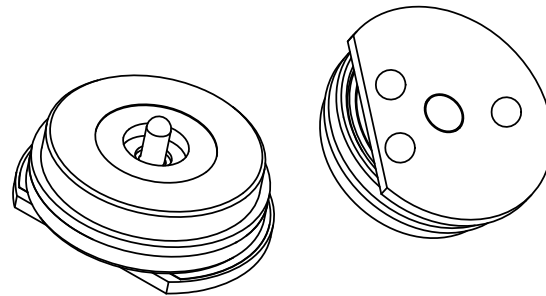
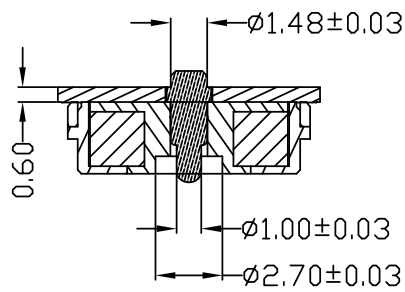
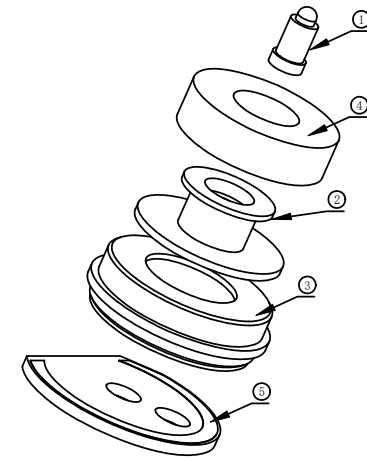
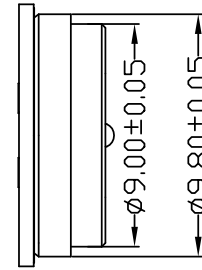
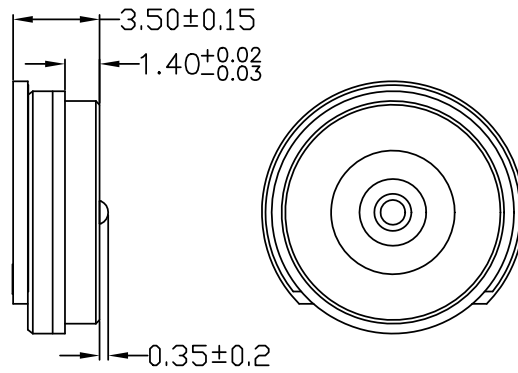
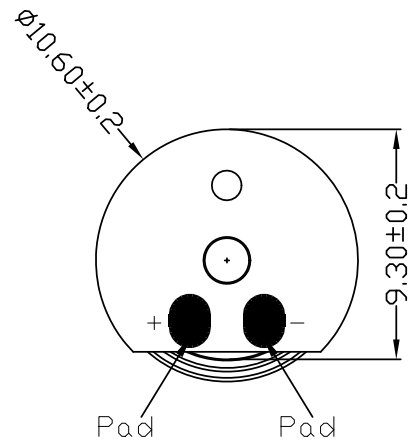


REV	ECN NO.	DETAILS	BY	DATE
1				
2				
3				



- NOTES:
- 1.0 Rated voltage(Per Contact):5 Volts
  - 2.0 Rated Current(Per Contact):2A maximum
  - 3.0 Insulation Resistance: 100M $\Omega$  minmun
  - 4.0 Dielectric Withstanding Voltage:100V at 60HZ
  - 5.0 Contact Resistance: 30m $\Omega$  maximum  
before fest and 60m $\Omega$  maximumafter test  
at pogopin working stroke
  - 6.0 Recommended Working Stroke&Force:  
1)Stroke 1.0mm(Per Contact):40gf $\pm$ 20gf
  - 7.0 Mechanical life:  
1)Mechanical life:10,000 Cycles Min
  - 8.0 Working Temperature Range: -30~85°C
  - 9.0 Mark \* size as key control

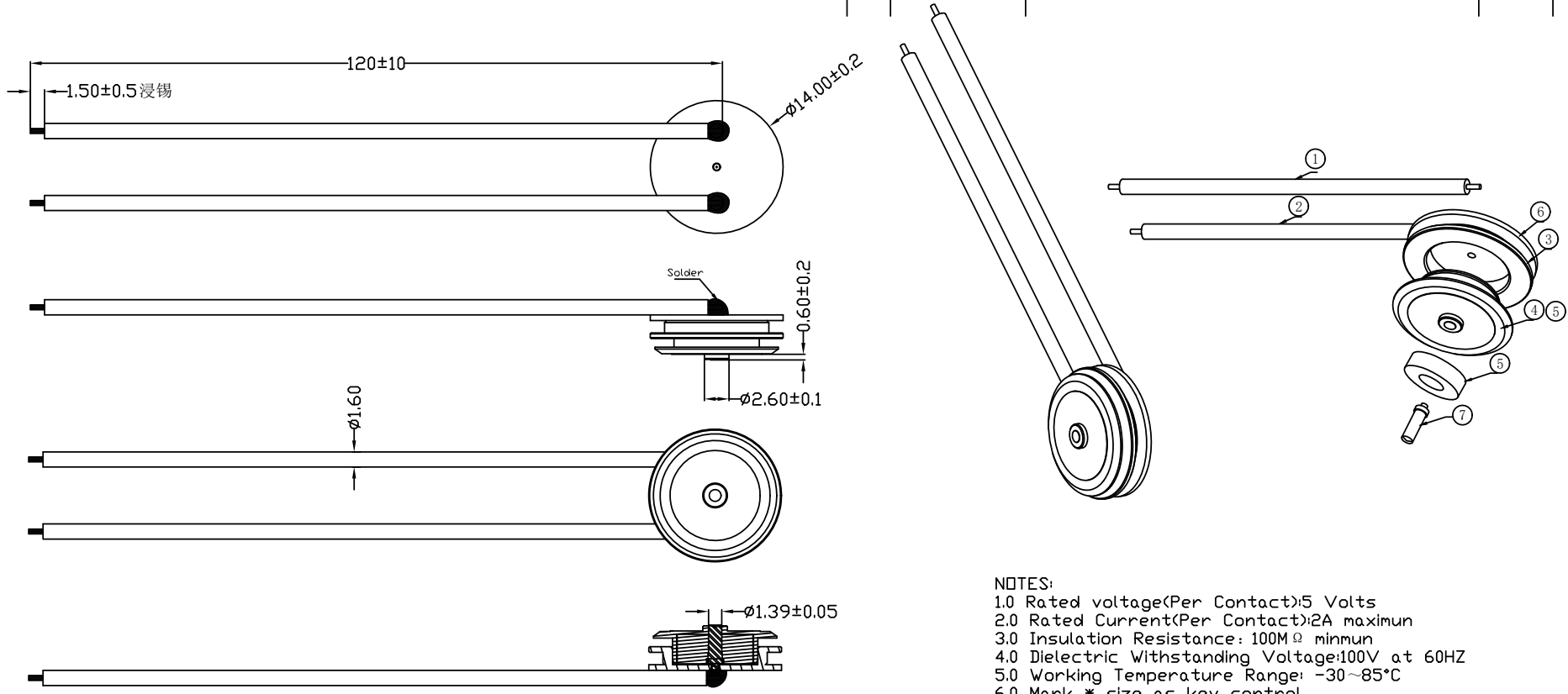
5	PCB	1pcs	FR-4	Lead free tin spraying	.....
4	Magnet	1pcs	N52	5um Nickel	.....
3	Copper shell	1pcs	C3604	Gold 0.025um min plated over 5um Nickel	.....
2	HOUSING	6g	PA9T BLACK	.....	.....
1	POGOPIN	1pcs	C3604	Gold 0.075um min plated over 1.25~3.0um Nickel	.....
Item	Part Name	Q'TY	Material	Finish	Remark

"UNLESS OTHERWISE STATED  
ALL DIMENSIONS ARE IN  
MILLIMETRES  
LINEAR TOLERANCE:  
X: $\pm 0.20$  .X: $\pm 0.15$  .XX: $\pm 0.10$   
X\*: $\pm 2^{\circ}$  .X\*: $\pm 0.5^{\circ}$ "  
Pomagtor  
Website:www.pomagtor.net

**POMAGTOR**  
POGO PIN - 16 YEARS OF PROFESSIONAL  
Magnetic connection-professional for customization

TITLE	Magnetic connector	REV	A0	DRAWN BY	CHECKED BY	APPROVED BY
SPEC	DL-2P/M Magnetic connector Black	SCALE	1	ZQ		
PART NO	***	UNIT	mm			
VEIW ANGLE		DATE	21/04/21			
		SHEET	1 of 1			

REV	ECN NO.	DETAILS	BY	DATE
1				
2				
3				



NOTES:  
 1.0 Rated voltage(Per Contact):5 Volts  
 2.0 Rated Current(Per Contact):2A maximum  
 3.0 Insulation Resistance: 100MΩ minimum  
 4.0 Dielectric Withstanding Voltage:100V at 60HZ  
 5.0 Working Temperature Range: -30~85°C  
 6.0 Mark \* size as key control

Item	Part Name	Q'TY	Material	Finish	Remark
7	PIN	1pcs	C3604	Gold 0.075um min plated over 1.25~3.0um Nickel	.....
6	PCB	1pcs	FR-4	Lead free tin spraying	.....
5	HPUSING	6g	ABS+PA46	.....	.....
4	Magnet	1pcs	N52	5um Nickel	.....
3	Copper shell	1pcs	C3604	5um Nickel	.....
2	Cable	0.12m	PVC Black	.....	.....
1	Cable	0.12m	PVC Red	.....	.....

"UNLESS OTHERWISE STATED ALL DIMENSIONS ARE IN MILLIMETRES  
 LINEAR TOLERANCE:  
 X:±0.20 .X±0.15 .XX±0.10  
 X°:±2° .X°±0.5°"  
 Pomagtor  
 Website:www.pomagtor.net

**POMAGTOR**  
 POGO PIN - 16 YEARS OF PROFESSIONAL  
 Magnetic connection-professional for customization

TITLE	Magnetic connector	REV	A0	DRAWN BY	ZQ	CHECKED BY		APPROVED BY	
SPEC	DL-2P/F Magnetic connector Black	SCALE	1						
PART NO	***	UNIT	mm						
VEIW ANGLE		DATE	21/04/21						
		SHEET	1 of 1						