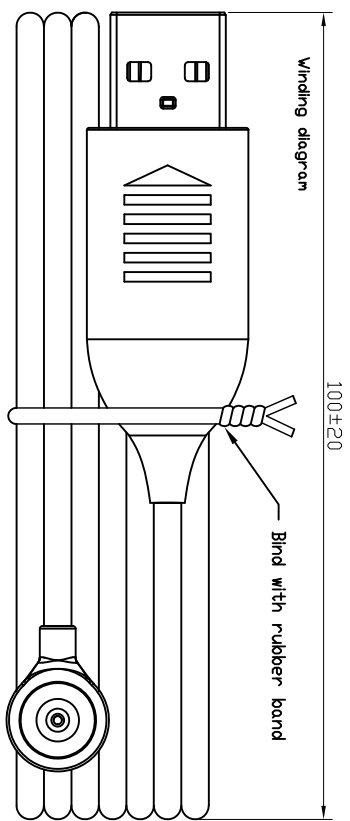
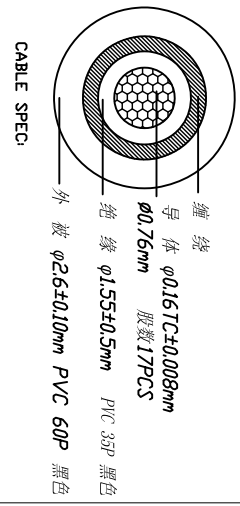
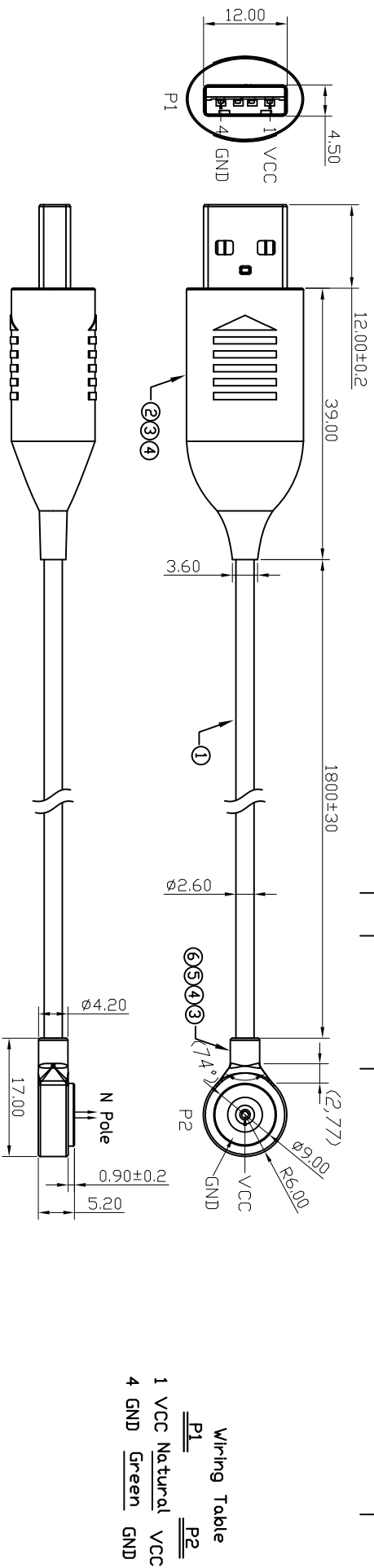


REV	ECN NO.	DETAILS	BY	DATE
1				
2				
3				



Technical Specification:

- 100% break/short test.
- Insulation resistance: 300V/DC 10M Ω /min.
- Swing test: 200g (lifting weight, ± 60 degrees 30 times/min, 2000 times conduction OK.
- Rated voltage (PIN contact): 12Vvolts
- Working elastic single PIN:
- Press stroke 0.8mm (PIN contact): 60gfMax
- Life test:
- Press stroke 0.8mm, 10,000 times (Min)
- Operating temperature range: -30~85 $^{\circ}$ C
- The magnetic force of the male and female seat is about 400 grams
- 9.0 is marked with '*' as a key dimension.
- Salt spray test 48H
- USB A 2.0 Maximum insertion force 35N, Minimum pull-out force 10N, 5000 tests

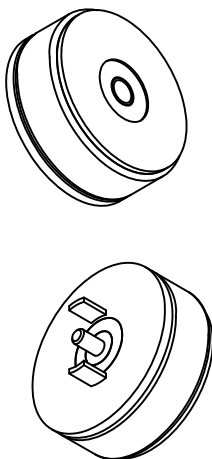
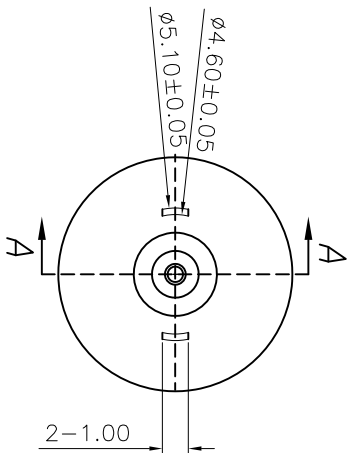
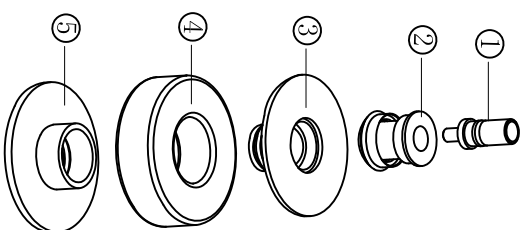
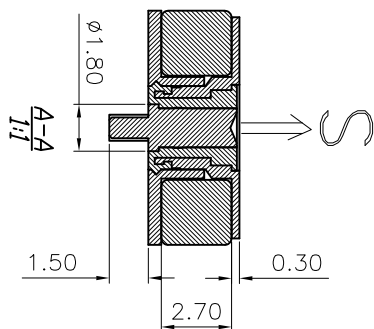
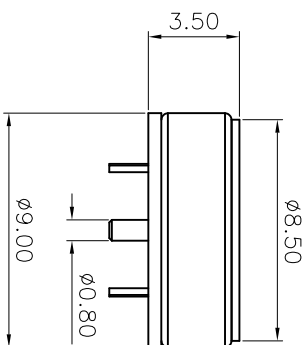
Item	Part Name	Q'TY	Material	Finish	Remarks
1	Wire rod	18m	PVC 60P	Black $DD\phi 2.6$
2	USB A20 +EMC+PTC	1pcs	Iron shell	Pin gold plating G / F Nickel-plated	Black
3	Internal mold	39	LD-PE transparent
4	Duter mold	89	White TPE 90A
5	Connector	1pcs	2PIN-DL-9MM/M Connector	POGO PIN gold-plated 3u"	Black
6	PCB	1pcs	FR-4	2PIN-DL-9MM/M round water cup PCB

*UNLESS OTHERWISE STATED ALL DIMENSIONS ARE IN MILLIMETRES
 LINEAR TOLERANCE:
 X ± 0.20 , X ± 0.15 , XX ± 0.10
 X $\pm .2^{\circ}$, X $\pm 0.5^{\circ}$
 Pomaqtor
 Website:www.pomaqtor.net

POMAGTOR
 16 YEARS OF PROFESSIONAL
 Magnetic connection-professional for customization

TITLE	Magnetic wire for round water cup	REV	A0	DRAWN BY	ShenYanWU	CHECKED BY	HongJunHu	APPROVED BY	dingSongJie
SPEC	2PIN-DL-9MM/M L=18M Black	SCALE	1						
PART NO	RD91.HHJ0210811-003	UNIT	mm	DATE	21/08/11				
VEIW ANGLE		SHEET	1 of 1						

ROHS2.0,



NOTES:
 1.0 Rated voltage(Per Contact):12 Volts
 2.0 Rated Current(Per Contact):2A maximum
 3.0 Working Temperature Range: -30~85
 4.0 1um≈40u"

5	---	电极环	1pcs	C3604	镀镍80-120u"	∅9.0*3.6
4	---	磁铁	1pcs	NE2	镀镍200u"以上	∅9.0*11.4 #H:2.7
3	---	前壳	1pcs	SUS316F	镀镍80-120u"	∅8.5*3.25
2	HY75.00628-007	胶料	5g	黑色 PA9T	黑色
1	---	PIN	1pcs	C3604	镀金3u	∅1.8*4.9
序号	料号	名称	数量	材质	表面处理	备注

*UNLESS OTHERWISE STATED
 ALL DIMENSIONS ARE IN
 MILLIMETRES
 LINEAR TOLERANCE:
 X:±0.20 .X:±0.15 .XX:±0.10
 X°:±2° .X°:±0.5°
 Pomaqtor
 Website:www.pomaqtor.net

POMAGTOR
 POGO PIN - 16 YEARS OF PROFESSIONAL
 Magnetic connection- professional for customization

TITLE	Magnetic connector	REV	A0	DRAWN	BY	CHECKED	BY	APPROVED	BY
SPEC	2PIN-DL-9MM/F	SCALE	1	BY	ShenYou	BY	HongJun	BY	QingSong
PART NO	RD91.HHJ0210811-001	UNIT	mm	DATE	21/08/11				
VEIW ANGLE		SHEET	1 of 1						

REV	EGN NDL	DETAILS	BY	DATE
1				
2				
3				