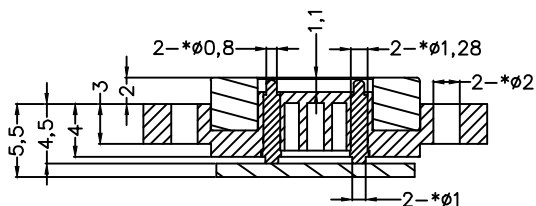
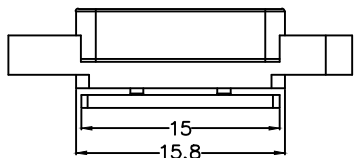
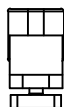
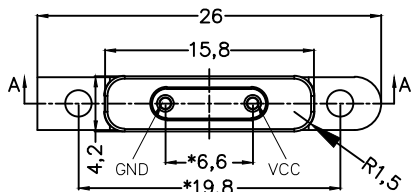


ROHS 2.0

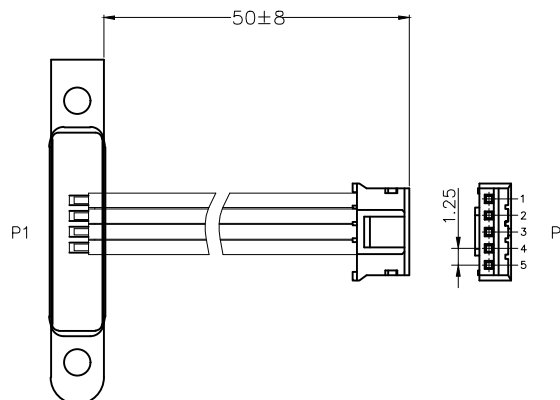
REV	ECN NO.	DETAILS	BY	DATE
1	AO	The new version was released	LZH	21.12.27
2	/	/	/	/
3				



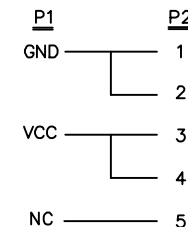
SECTION A-A

Technical Specification:

- 1.0 Electrical Characteristics:
 - 1) Rated Voltage (PIN Contact):5Volts.
 - 2) Rated Current (PIN Contact):1A.
 - 3) Insulation Resistance: 100MΩ min.
 - 4) Dielectric Withstand Voltage: 100V AT 60Hz.
 - 5) Contact Resistance: 30mΩ Max. Before Test And 60mΩMax. After Test.
- 2.0 Salt Spray Test: 5% Salt Spray Concentration, Temperature 35°C, Test Time 24 Hours, No Corrosion.
- 3.0 Working Temperature Range: -30~+85°C.
- 4.0 Marked with "*" as key dimension.



Wiring Diagram



5	Leadwire	1pcs	-	-	-
4	Magnet	1pcs	N52	Nickel 3.0um min plated	-
3	PCB	1pcs	FR-4	-	15*3.8*1
2	Pogopin	2pcs	HBI59	Au 0.075um min platinum over 1.25~3um Nickel	ø1.5*6.3
1	Housing	1pcs	PA9T	-	-
Item	Part Name	Q'TY	Material	Finish	Remark

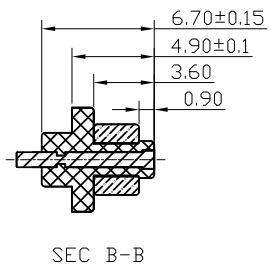
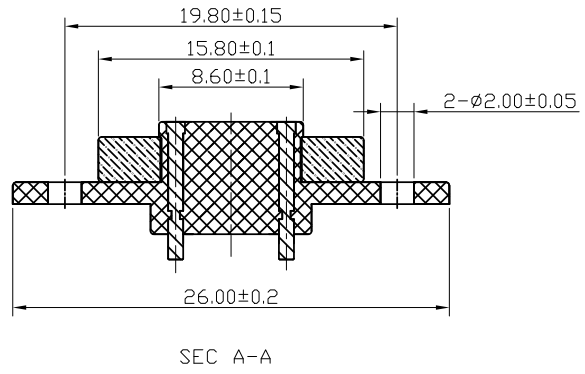
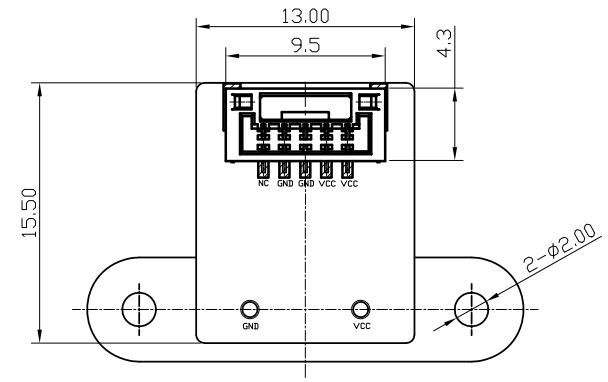
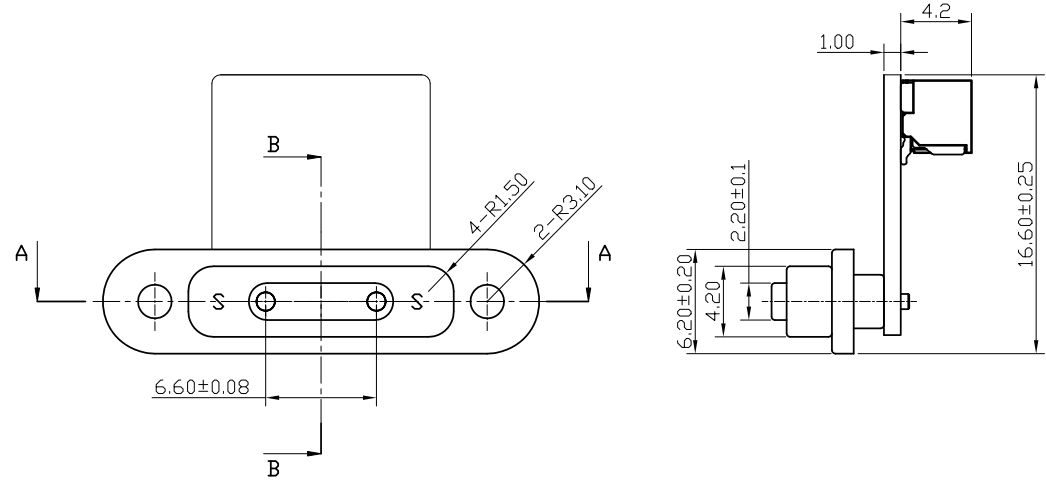
"UNLESS OTHERWISE STATED
ALL DIMENSIONS ARE IN
MILLIMETRES
LINEAR TOLERANCE:
X,±0.20 .X±0.15 .XX±0.10
X*,±2° .X*±0.5°"
Pomagtor
Website:www.pomagtor.net

POMAGTOR
POGO PIN - 16 YEARS OF PROFESSIONAL
Magnetic connection-professional for customization

TITLE	Magnetic connector	REV	AO	DRAWN BY	CHECKED BY	APPROVED BY
SPEC	2PIN/M	SCALE	1	LZH	GGTD	
PART NO	RD90.LZH021129-001	UNIT	mm			
VEIW ANGLE		DATE	21/12/27			
		SHEET	1 of 1			

RoHS2.0

REV	ECN NO.	DETAILS	BY	DATE
1				
2				
3				



Item	Part Name	Q'TY	Material	Finish	Remark
5	WAFER	1pcs	PA9T	Tin PLATED	1.25PH
4	PCB	1pcs	FR4	Lead free tin spraying	15.5*13*1
3	Magnet	1pcs	N52	Nickel PLATED
2	Pin	2pcs	Lead Free Copper	Gold 0.25um min plated over 1.25~3.0um Nickel	φ1.5*8.2
1	Housing	1pcs	PA46 Black

Technical Specification:

- Electrical Characteristics:
 - Rated Voltage (PIN Contact): 5Volts.
 - Rated Current (PIN Contact): 1.5A.
 - Insulation Resistance: 100MΩ min.
 - Dielectric Withstand Voltage: 100V AT 60Hz.
 - Contact Resistance: 30mΩ Max. Before Test And 60mΩMax. After Test.
- Salt Spray Test: 5% Salt Spray Concentration, Temperature 35°C, Test Time 24 Hours, No Corrosion.
- Working Temperature Range: -30~+85°C.

*UNLESS OTHERWISE STATED ALL DIMENSIONS ARE IN MILLIMETRES
 LINEAR TOLERANCE:
 X:±0.20 .X:±0.15 .XX:±0.10
 X*:±2° .X*:±0.5°
 Pomagtor
 Website:www.pomagtor.net

POMAGTOR
 POGO PIN - 16 YEARS OF PROFESSIONAL
 Magnetic connection-professional for customization

TITLE	Connector	REV	A0	DRAWN BY	CHECKED BY	APPROVED BY
SPEC	DMC4-2P/F TO 1.25PH 1*5P WAFER	SCALE	1	Lemon	Qingsong	Eidson
PART NO	-	UNIT	mm			
VEIW ANGLE		DATE	21/09/10			
		SHEET	1 of 1			